

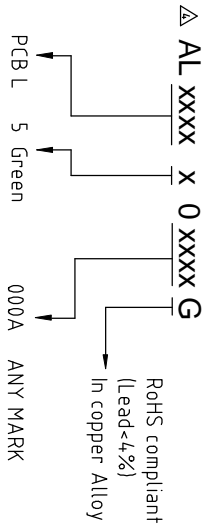
SIGN	DATE	DESCRIPTION	APPROVER
△	07/19`07	The Dimension is changed from :P2.5x120P2.8x8	Tason
△	04/24`07	Modify stipulation	Tason
△	06/05`08	The Dimension is changed from :72.0*72.5*+0.40/-0.00	Seamus
△	02/05`09	Modify How to order	Seamus
△	04/08`09	Structure changed	Seamus
△	07/19`09	The Dimension is changed from :P2.8x8tP2.3`0x12	Seamus
△	04/27`12	Structure changed	Seamus
△	09/11`13	The Dimension is changed from :72.5±0.05t72.5+0.00/-0.10	Seamus

THIS IS CAD DRAWING. DO NOT REVISE MANUALLY!!!

Materials

- Item 1 insulating body PVC (UL94V-0)
- Item 2 insulating side Cover (left) Thermoplastic (UL94V-0)
- Item 3 insulating side Cover (right) Thermoplastic (UL94V-0)
- Item 4 Screw(P2.3.0x12) △△ Steel, Zinc&Ni plated

Remark △
 DIM L=(PCB)L-1.8mm
 PCB Width: 72.5 +0.00/-0.10mm△
 PCB thick : 1.6±0.10mm



ANYTEK

CUSTOMER COPY

ALL RIGHTS RESERVED. REPRODUCTION OR ISSUE TO THIRD PARTIES IN ANY FORM WHATSOEVER IS NOT PERMITTED WITHOUT WRITTEN AUTHORITY FROM THE PROPRIETOR. PROPERTY OF ANYTEK TECHNOLOGY CO., LTD

TITLE		AL (72) Series		DWG NO.		8AL0001	
PART NO.		ALxxxxx0xxxxG		CUST NO.			
APPROVED	CHECKED	DESIGNED	DRAWN	UNIT: mm	Tolerance		
Seamus	Seamus	Seamus	Seamus	SCALE: NONE	±0.50		
09/11`13	09/11`13	04/09`09		REV: F	±0.30		
					±0.10		
					±1°		

1 2 3 4 5 6 7

1 2 3 4 5 6 7

1 2 3 4 5 6 7

1 2 3 4 5 6 7

1 2 3 4 5 6 7

1 2 3 4 5 6 7

1 2 3 4 5 6 7

1 2 3 4 5 6 7

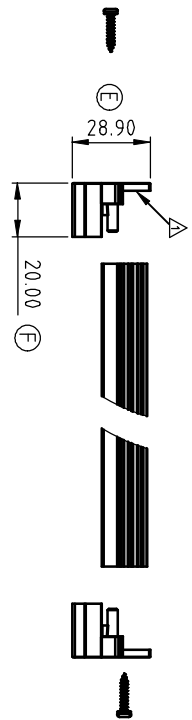
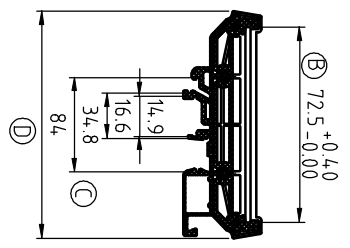
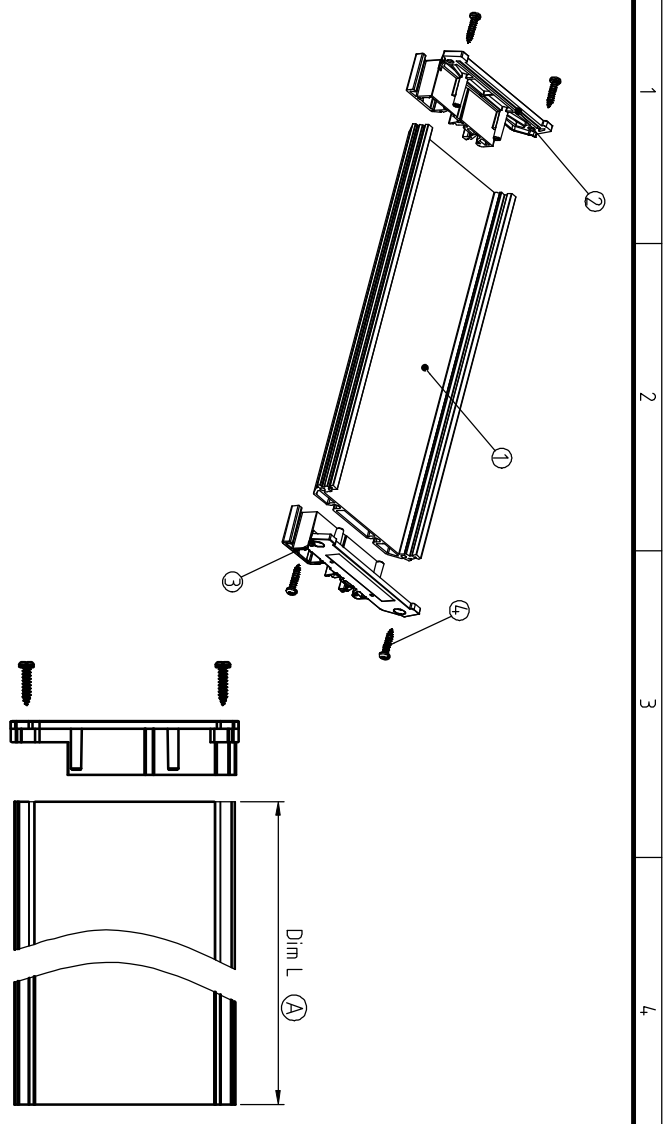
1 2 3 4 5 6 7

SIGN	DATE	DESCRIPTION	APPROVER
△	04/27/12	Structure changed	Seamus
△	09/11/13	The Dimension is changed from :72.5±0.05 to 72.5±0.00/-0.10	Seamus

THIS IS CAD DRAWING. DO NOT REVISE MANUALLY!!!

- Materials**
- Item 1 insulating body PVC (UL 94V-0)
 - Item 2 insulating side Cover (left) Thermoplastic (UL 94V-0)
 - Item 3 insulating side Cover (right) Thermoplastic (UL 94V-0)
 - Item 4 Screw(Pa3.0x12) Steel, Zinc&Ni plated

Remark
 DIM L=(PCB)L-18mm
 PCB Width: 72.5 +0.00/-0.10mm △
 PCB thick : 1.6±0.10mm



AL XXXX X 2 XXXX G
 RoHS compliant (Lead<4%)
 In copper Alloy

PCB L 5 Green 000A ANY MARK

ANYTEK

INSPECTION COPY

ALL RIGHTS RESERVED. REPRODUCTION OR ISSUE TO THIRD PARTIES IN ANY FORM WHATSOEVER IS NOT PERMITTED WITHOUT WRITTEN AUTHORITY FROM THE PROPRIETOR. PROPERTY OF ANYTEK TECHNOLOGY CO., LTD

TITLE		AL (72) Series(But not assembled cover)		DWG NO.		8AL0003	
PART NO.		ALxxxxx2xxxxg		CUST NO.			
APPROVED	CHECKED	DESIGNED	DRAWN	UNIT:	Tolerance		
Seamus	Seamus	Seamus	Seamus	mm	X	±0.50	
09/11/13	09/11/13	04/09/09		SCALE: NONE	X X	±0.30	
				REV: D	X X X	±0.10	
				SHEET: 01/01	X°	±1°	

A

B

C

D

E

1 2 3 4 5 6 7