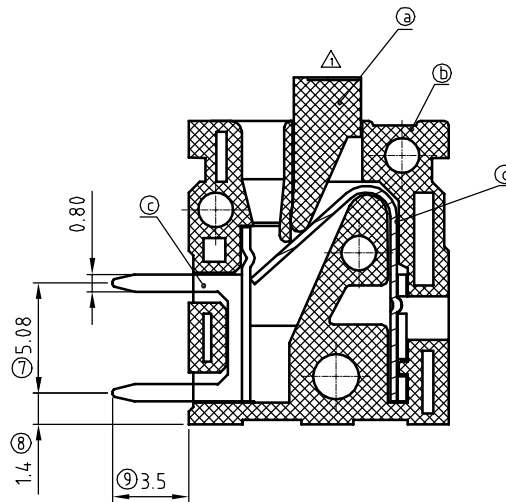
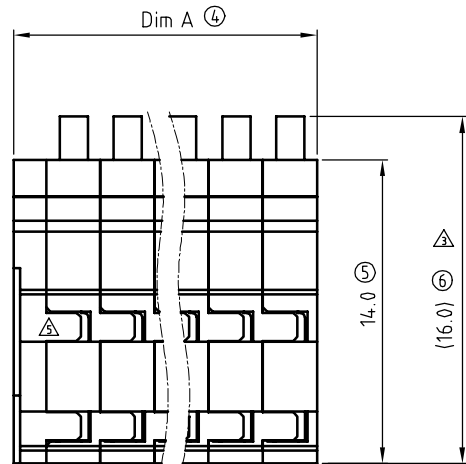


P.C.B LAYOUT



SECTION A-A

SIGN	DATE	DESCRIPTION	APPROVER
△	2009.6.18	The design is changed	Jacke
△	2009.10.07	The design is changed	Jacke
△	2009.10.07	The dimension is changed from 16.2mm to 16.0mm	Jacke
△	2009.10.07	Add UL standard	Jacke
△	2011.04.06	Structure changed	Runner

**THIS IS CAD DRAWING, DO NOT REVISE MANUALLY!!!**

Material:

- Item a :Terminal lever:Thermoplastic (UL94 V-0)
- Item b :Terminal body Thermoplastic (UL94 V-0)
- Item c :Solder pin: Brass Tin plated
- Item d :wire guard: Stainless steel
- Item e :Terminal cover: Thermoplastic (UL94V-0)

Electrical cULus

- Voltage rating: 150V
- Current rating: 3A
- Wire range: 0.08-0.52mm<sup>2</sup>;
- Solid wire(AWG): 20-28
- Stranded wire(AWG): 20-28
- Wire strip length: 9-10mm
- Withstanding Voltage: 1.3KV
- Operating temperature: -40°C to +115°C
- Soldering temperature: 250°C±10°C/5 Sec
- △ ● Safety Approval: **cULus**

NA xx B 1 x 0 xxxx G

02 2 poles	0000: "@ " Logo (Standard)
03 3 poles	000A: "ANYTEK" Mark
... ..	Any special item by customer request, please contact sales department.
24 24 poles	

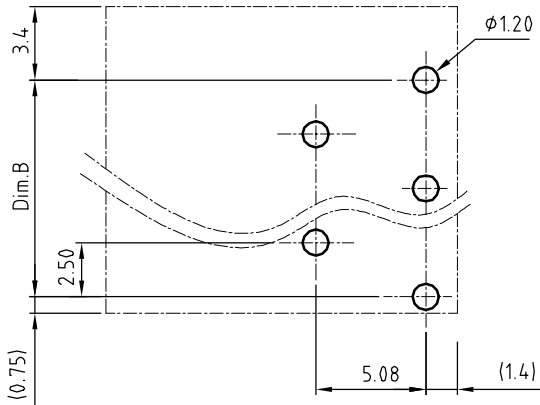
  

	COLOR
0	Black (RAL9005)
2	Red (RAL3001/D)
3	Orange(RAL2011/P)
4	Yellow(RAL1018/A)
5	Green(RAL6018/T)
6	Blue (RAL5015/A)
8	Grey(RAL7004/p)

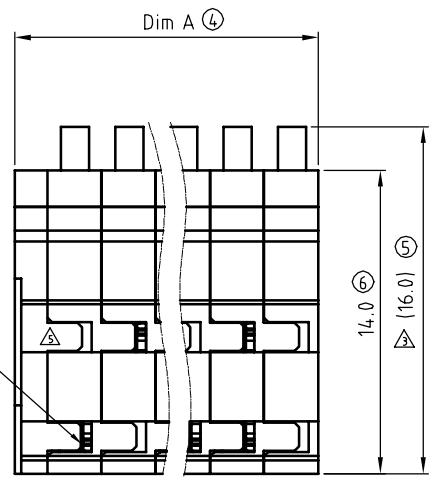
N = Number of poles  
 Dim A=Nx2.5+1.5  
 Dim B=(N-1)x2.5

	Dim A	Dim B
2-6p	±0.20	±0.20
6-12p	±0.25	±0.25
12-24p	±0.30	±0.30

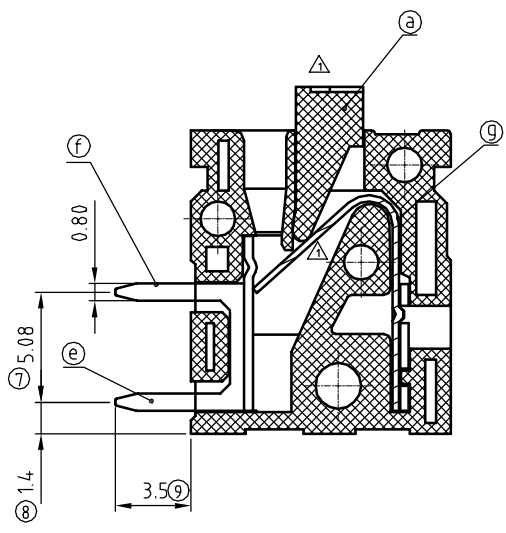
<b>ANYTEK</b>				<b>CUSTOMER COPY</b>			
ALL RIGHTS RESERVED. REPRODUCTION OR ISSUE TO THIRD PARTIES IN ANY FORM WHATSOEVER IS NOT PERMITTED WITHOUT WRITTEN AUTHORITY FROM THE PROPRIETOR. PROPERTY OF ANYTEK TECHNOLOGY CO., LTD							
TITLE		NA 2.5mm series Double tail A type Horizontal (180D wire inlet)					
PART NO.		NAxxB1x0xxxxG			DWG NO.		8NA0005
APPROVED		CHECKED	DESIGNED	DRAWN	CUST NO.		Tolerance
			Runner 2011.04.06	Jacke 2009.10.07			X. ±0.50
					UNIT: mm		X.X ±0.30
					SCALE: 4/1		X.XX ±0.10
					SHEET: 01/01		X° ±1°
					REV.: E		



P.C.B LAYOUT



Down contacts pin omit  
Top side with cover



SECTION A-A

SIGN	DATE	DESCRIPTION	APPROVER
△	2009.6.18	The design is changed	Jacke
△	2009.10.07	The design is changed	Jacke
△	2009.10.07	The dimension is changed from 16.2mm to 16.0mm	Jacke
△	2009.10.07	Add UL standard	Jacke
△	2011.01.12	Structure changed	Runner
△	04/06'11	Add is spec.	Chen Bo

**THIS IS CAD DRAWING, DO NOT REVISE MANUALLY!!!**

Material:

- Item a :Terminal lever:Thermoplastic (UL94 V-0)
- Item b :Terminal Normal housing: Thermoplastic (UL94 V-0)
- Item c :Terminal side body Thermoplastic (UL94 V-0)
- Item d :Terminal cover: Thermoplastic (UL94V-0)
- Item e :Down contacts pin omit Top side: Brass Tin plated
- Item f :Top contacts pin omit Down side: Brass Tin plated
- Item g :wire guard: Stainless steel

Electrical cULus

- Voltage rating: 150V
- Current rating: 3A
- Wire range: 0.08-0.52mm<sup>2</sup>;
- Solid wire(AWG): 20-28
- Stranded wire(AWG): 20-28
- Wire strip length: 9-10mm
- Withstanding Voltage: 1.3KV
- Operating temperature: -40°C to +115°C
- Soldering temperature: 250°C±10°C/5 Sec
- Safety Approval: cULus

**NA xx B 1 x 1 xxxx G**

- |             |  |
|-------------|--|
| NO of poles | 0000: "@" Logo (Standard)  |
| 02 2 poles  | 000A: "ANYTEK" Mark  |
| 03 3 poles  | Any special item by customer request, please contact sales department. |
| ...         |  |
| 24 24 poles |  |
- 
- |                     |  |
|---------------------|--|
| COLOR               |  |
| 0 Black (RAL9005)   |  |
| 2 Red (RAL3001/D)   |  |
| 3 Orange(RAL2011/P) |  |
| 4 Yellow(RAL1018/A) |  |
| 5 Green(RAL6018/T)  |  |
| 6 Blue (RAL5015/A)  |  |
| 8 Grey(RAL7004/p)   |  |

N = Number of poles  
Dim A=Nx2.5+1.5  
Dim B=(N-1)x2.5

	Dim A	Dim B
2-6p	±0.20	±0.20
6-12p	±0.25	±0.25
12-24p	±0.30	±0.30

<b>ANYTEK</b>				<b>CUSTOMER COPY</b>			
ALL RIGHTS RESERVED. REPRODUCTION OR ISSUE TO THIRD PARTIES IN ANY FORM WHATSOEVER IS NOT PERMITTED WITHOUT WRITTEN AUTHORITY FROM THE PROPRIETOR. PROPERTY OF ANYTEK TECHNOLOGY CO., LTD							
TITLE		NA 2.5mm series Single tail B type Horizontal (180D wire inlet)					
PART NO.		NAxxB1x1xxxxG			DWG NO.		8NA0004
APPROVED		CHECKED	DESIGNED	DRAWN	CUST NO.		Tolerance
			Runner 2011.04.06	Chen Bo 2011.04.06			X. ±0.50 X.X ±0.30 X.XX ±0.10 X° ±1°
				SHEET: 01/01		UNIT: mm	
						SCALE: 4/1	
						REV.: E	