

N=NUMBER OF POLES  
 Δ Dim L N×5.0+1.00  
 Δ Dim B (N-1)×5.0

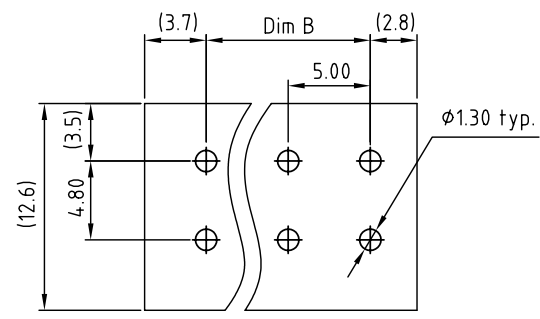
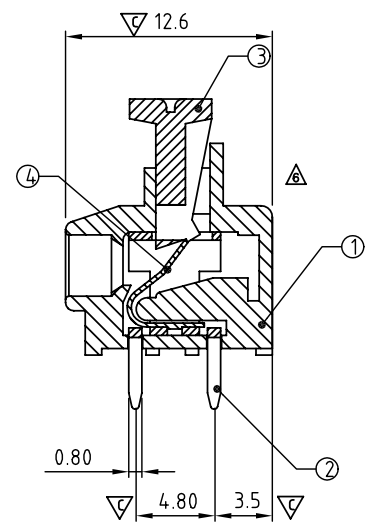
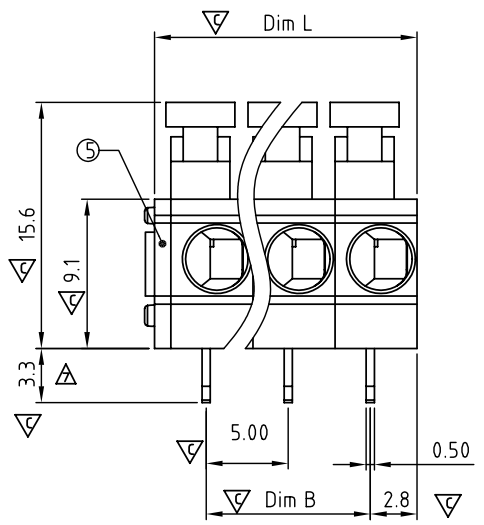
POLES	Dim L	Dim B
1p	±0.1	
2p-6p	±0.2	±0.15
7p-12p	±0.3	±0.25
13p-18p	±0.4	±0.35
19p-24p	±0.45	±0.4

SIGN	DATE	DESCRIPTION	APPROVER
Δ	01/24/07	The Soldering temperature from 245° to 250°	Aaron
Δ	01/24/07	Add "VDE" stipulation	Aaron
Δ	05/19/09	wire strip length changed from 6-7mm to 9-10mm	Eris
Δ	05/19/09	temperature changed from -30°C-105°C to -40°C-115°C	Eris
Δ	05/19/09	The tolerance of dimension is changed	Eris
Δ	01/11/11	The view is changed	Runner
Δ	01/02/13	change the electrical specification and the dimension from 3.6 to 3.3	Da cheng

THIS IS CAD DRAWING, DO NOT REVISE MANUALLY!!!

- Δ Material
- Item ① Terminal housing: Thermoplastic (UL94V-0)
  - Item ② Solder Pin: Brass Tin plated.
  - Item ③ Lever : Thermoplastic (UL94V-0) Natural color
  - Item ④ Spring clamp : Stainless steel
  - Item ⑤ Terminal Cover : Thermoplastic (UL94V-0)

- Δ Electrical cULus VDE
- Voltage rating: 300VAC 450VAC
  - Current rating: 10A 6A
  - Wire range: 0.5mm<sup>2</sup>
  - Solid wire(AWG): 14-20
  - Stranded wire(AWG): 14-20
  - Wire strip length: 9-10mm
  - Withstanding Voltage: 1.6KV 2.5KV
  - Operating temperature: -40°C to +115°C
  - Soldering temperature: 260°C±5°C/5 Sec
  - Safety Approval:
  - Critical dimension: ▽



P.C.B. LAYOUT  
 Δ Top view

HB xx x 0 1 x 0 xxxx G

- RoHs compliant (lead<4%) In copper Alloy
- Δ Body Color
- No. OF POLES 0 Black (RAL9005) 0000 Standard @ Logo
- 01: 1 POLES 2 Red (RAL3001/D) 000A Standard ANY Logo
- 02: 2 POLES 3 Orange(RAL2011/P) Any special item by customer request,
- : 4 Yellow(RAL1018/A) please contact sales department.
- : 5 Green(RAL6018/T)
- 24: 24 POLES 6 Blue (RAL5015/A)
- 7 Grey(RAL7004/P)
- 8 White(RAL1102)
- C Multiple colors

<b>ANYTEK</b>				<b>CUSTOMER COPY</b>			
ALL RIGHTS RESERVED. REPRODUCTION OR ISSUE TO THIRD PARTIES IN ANY FORM WHATSOEVER IS NOT PERMITTED WITHOUT WRITTEN AUTHORITY FROM THE PROPRIETOR. PROPERTY OF ANYTEK TECHNOLOGY CO., LTD							
TITLE		HB - 5.0mm Series (Single wire)					
PART NO.		HBxx01x0xxxxG			DWG NO.		8HB0001
APPROVED	CHECKED	DESIGNED	DRAWN	CUST NO.		Tolerance	
		Da cheng 2013.01.02	Da cheng 2013.01.02			X. ±0.50	
						X.X ±0.30	
						X.XX ±0.10	
						X° ±1°	
				SHEET: 01/01		UNIT: mm	
						SCALE: NONE	
						REV.: G	