


SIGN	DATE	DESCRIPTION	APPROVER
△	11/25'04	The dimension changed from N×3.81 TO N×3.81+0.80	何恩華
△	11/25'04	Part No. changed from VMxx35x2 to VMxx35x2G	何恩華
△	02/07'06	Part No. changed	Tony
△	08/22'09	Add pad for 2P - 6P .	Kind

THIS IS CAD DRAWING, DO NOT REVISE MANUALLY!!!

Material

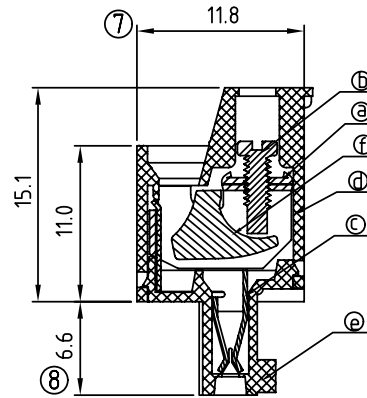
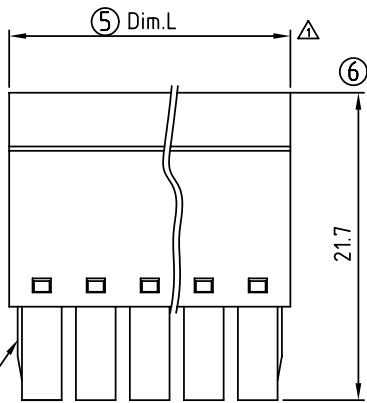
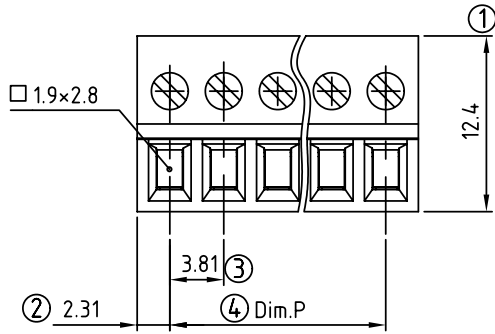
- Item a Clamp: Steel zine plated.
- Item b Terminal screw: Brass Zinc plating "-" slot type
- Item c Female contact: PhBz Tin plated
- Item d Terminal (Up body): Thermoplastic (UL94V-0)
- Item e Terminal (Down body): Thermoplastic (UL94V-0)
- Item f Clampage: Steel Zinc plated

Electrical cULus

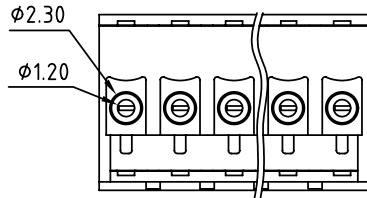
- Voltage rating: 300VAC
- Current rating: 10A
- Wire range:
- Solid wire(AWG): 16-28
- Stranded wire(AWG): 16-28
- Torque: 1.7Lb-In
- Screw: M2
- Wire strip length: 6-7mm
- Withstanding Voltage: 1.6KV
- Operating temperature: -40°C to +115°C
- Safety approval: us

△ VM xx 3 5 x 0 xxxx G

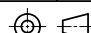
POLES	Color	G: Pb<40000ppm
02 pole	0 Black (RAL9005)	0000: "@"logo
... "	2 Red (RAL3001/D)	000A: "ANYTEK"logo
24 pole	3 Orange(RAL2011/P)	Any special item by
	4 Yellow(RAL1018/A)	customer request.
	5 Green(RAL6018/T)	please contact sales
	6 Blue (RAL5015/A)	department.
	8 Grey(RAL7035/D)	



△ 此肋只有2P-6P有, 7P<含7P>以上無.



POLE		2	3	4	5	6	7	8	9	10	11	12
Dim.L		8.42	12.23	16.04	19.85	23.66	27.47	31.28	35.09	38.90	42.71	46.52
Dim.P		3.81	7.62	11.43	15.24	19.05	22.86	26.67	30.48	34.29	38.10	41.91
Tol.		±0.20					±0.25					
POLE	13	14	15	16	17	18	19	20	21	22	23	24
Dim.L	50.33	54.14	57.95	61.76	65.57	69.38	73.19	77.00	80.81	84.62	88.43	92.24
Dim.P	45.72	49.53	53.34	57.15	60.96	64.77	68.58	72.39	76.20	80.01	83.82	87.63
Tol.		±0.30					±0.40					

ANYTEK				CUSTOMER COPY			
ALL RIGHTS RESERVED. REPRODUCTION OR ISSUE TO THIRD PARTIES IN ANY FORM WHATSOEVER IS NOT PERMITTED WITHOUT WRITTEN AUTHORITY FROM THE PROPRIETOR. PROPERTY OF ANYTEK TECHNOLOGY CO., LTD							
TITLE	VM 3.81mm W/O Flange Series						
PART NO.	VMxx35x0xxxxG			DWG NO.	8VM0201		
APPROVED	CHECKED	DESIGNED	DRAWN	CUST NO.	Tolerance		
		Kind	Kind		UNIT: mm	X.	±0.50
		2009.08.22	2009.08.22		SCALE: NONE	X.X	±0.30
				SHEET: 01/01	REV.: D	X.XX	±0.10
						X°	±1°