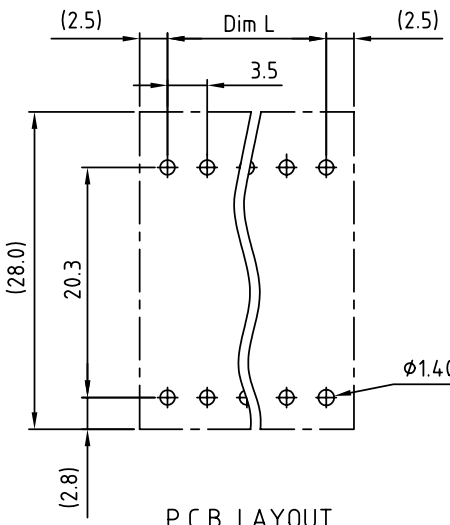
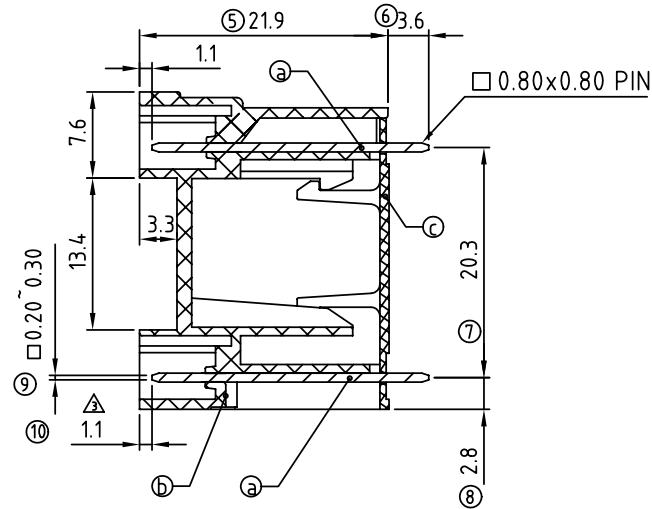
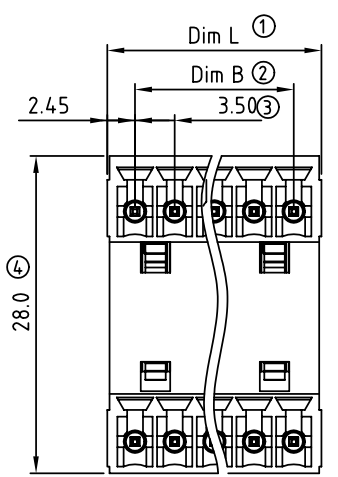


SIGN	DATE	DESCRIPTION	APPROVER
△	1/29/07	Soldering temperature changed from 245° to 250°	Tony
△	2010.01.22	Add the tolerance table	Jacke
△	2010.01.22	The demension is changed from 1.60mm to 1.10mm	Jacke
△	2010.01.22	The demension is changed from 0.40mm to 0.20~0.30mm	Jacke
△	2010.03.31	The material is changed from Brass to Copper	Jacke

THIS IS CAD DRAWING, DO NOT REVISE MANUALLY!!!

- Material:
- △ ● Item ① Contact pin: Copper Tin plated
 - Item ② Terminal(housing): Thermoplastic (UL94V-0)
 - Item ③ Terminal(cover): Thermoplastic (UL94V-0)
- Electrical: cULus
- Voltage rating: 300V
 - Current rating: 10A
 - Withstanding Voltage: 1.6 KV
 - Operating temperature: -40°C to +115°C
 - △ ● Soldering temperature: 250°C±10°C/5 Sec
 - Safety Approval: us



VL xx 1 1 x 0 xxxx G

No. OF POLES: 04: 2x2 POLES ; 48: 2x24 POLES

COLOR: 0 Black (RAL9005), 2 Red (RAL3001/D), 3 Orange(RAL2011/P), 4 Yellow(RAL1018/A), 5 Green(RAL6018/T), 6 Blue (RAL5015/A), 8 Grey(RAL7035/D)

G: Pb<40000ppm

0000: "@” Logo (Standard)

000A: "ANYTEK" Mark

Any special item by customer request. please contact sales department.

Poles	02	03	04	05	06	07	08	09	10	11	12	13	
Dim L	8.40	11.90	15.40	18.90	22.40	25.90	29.40	32.90	36.40	39.90	43.40	46.90	
Dim B	3.50	7.00	10.50	14.00	17.50	21.00	24.50	28.00	31.50	35.00	38.50	42.00	
TOL	±0.15			±0.20				±0.25					
Poles	14	15	16	17	18	19	20	21	22	23	24		
Dim L	50.40	53.90	57.40	60.90	64.40	67.90	71.40	74.90	78.40	81.90	85.40		
Dim B	45.50	49.00	52.50	56.00	59.50	63.00	66.50	70.00	73.50	77.00	80.50		
TOL	±0.30				±0.35								

ANYTEK

CUSTOMER COPY

ALL RIGHTS RESERVED. REPRODUCTION OR ISSUE TO THIRD PARTIES IN ANY FORM WHATSOEVER IS NOT PERMITTED WITHOUT WRITTEN AUTHORITY FROM THE PROPRIETOR. PROPERTY OF ANYTEK TECHNOLOGY CO., LTD

TITLE		VL-3.50 Close Vertical Series			
PART NO.	VLxx11x0xxxxG	DWG NO.	8VL0001		
APPROVED	CHECKED	DESIGNED	DRAWN	CUST NO.	Tolerance
		Jacke 2010.03.31	Jacke 2010.01.22		X. ±0.50 X.X ±0.30 X.XX ±0.10 X° ±1°
					UNIT: mm SCALE: NONE
				SHEET: 01/01	REV.: E