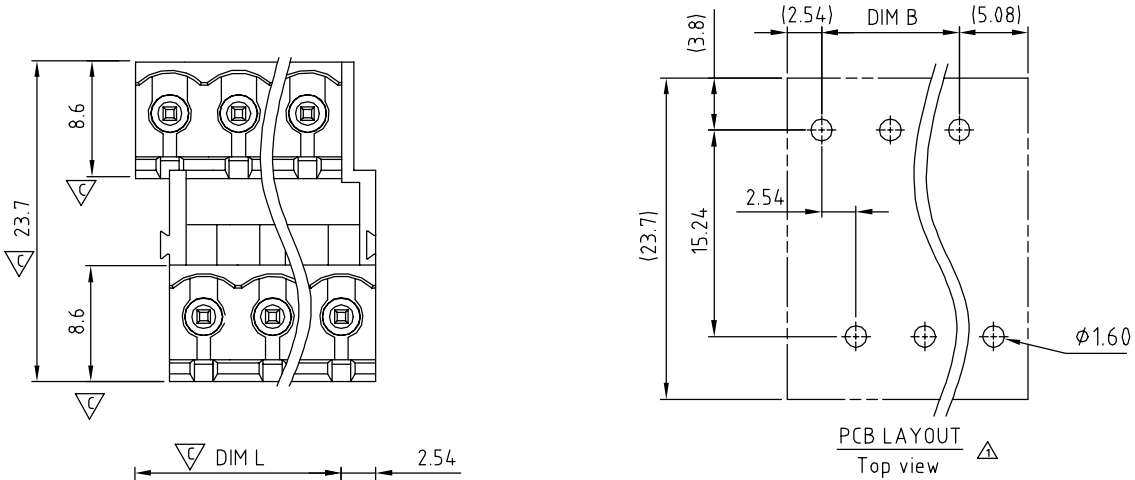
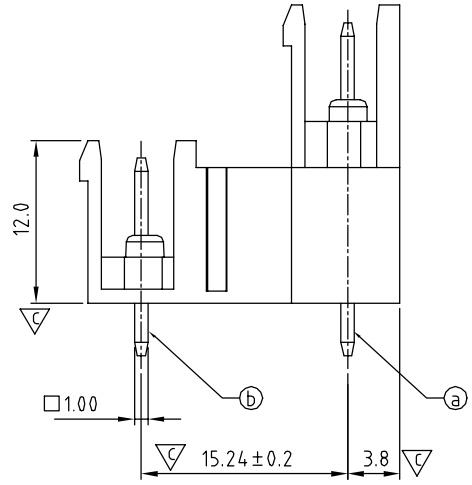
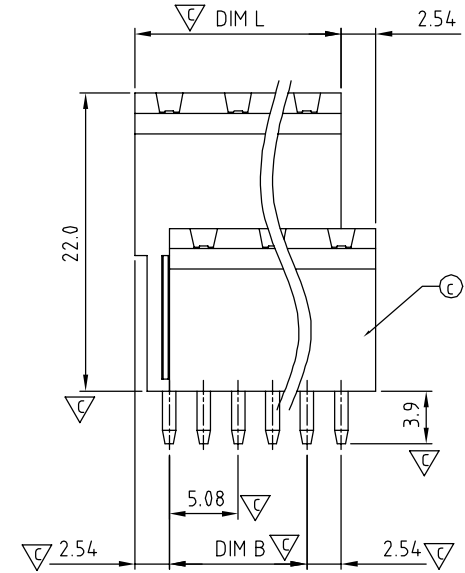


SIGN	DATE	DESCRIPTION	APPROVER
△	01/31'13	update the drawing	Dacheng
THIS IS CAD DRAWING, DO NOT REVISE MANUALLY!!!			



- △ Material
- Item (a) Male contact pin: Copper, Tin plated
  - Item (b) Male contact pin: Copper, Tin plated
  - Item (c) Terminal (housing): Thermoplastic (UL94V-0)
- Electrical
- Voltage rating: 300VAC
  - △ ● Current rating: 10A
  - Withstanding Voltage: 1.6KV
  - Operating temperature: -40°C to +115°C
  - △ ● Soldering temperature: 260°C±5°C/5 Sec
  - △ ● Safety Approval: us
  - Critical dimension: ∇



**VF xx 5 0 x 0 xxxx G**

No. OF POLES

- 04: 2x2 POLES
- 06: 2x3 POLES
- 48: 2x24 POLES

Color

- 0 Black (RAL9005)
- 2 Red (RAL3001/D)
- 3 Orange (RAL2011/P)
- 4 Yellow (RAL1018/A)
- 5 Green (RAL6018/T)
- 6 Blue (RAL5015/A)
- 8 Grey (RAL7035/D)

G RoHS compliant (lead<4%)  
In copper Alloy

- 0000 Standard @ Logo
- 000A Standard ANY Logo

Any special item by customer request, please contact sales department.

△ N=NUMBER OF CONTACTS

Dimension	TOL				
	2x2P-2x5P	2x6P-2x10P	2x11P-2x15P	2x16P-2x20P	2x21P-2x24P
Dim L N/2x5.08	±0.15	±0.20	±0.25	±0.30	±0.35
Dim B (N/2-1)x5.08	±0.15	±0.20	±0.25	±0.30	±0.35

<b>ANYTEK</b>				<b>CUSTOMER COPY</b>			
ALL RIGHTS RESERVED. REPRODUCTION OR ISSUE TO THIRD PARTIES IN ANY FORM WHATSOEVER IS NOT PERMITTED WITHOUT WRITTEN AUTHORITY FROM THE PROPRIETOR. PROPERTY OF ANYTEK TECHNOLOGY CO., LTD							
TITLE	VF-5.08 Series Vertical Open type					DWG NO.	8VF0104.
PART NO.	VFxx50x0xxxxG					CUST NO.	
APPROVED	CHECKED	DESIGNED	DRAWN			Tolerance	
		Dacheng 2013.01.31	Dacheng 2013.01.31			UNIT: mm	X. ±0.50
						SCALE: NONE	X.X ±0.30
						SHEET: 01/01	X.XX ±0.10
						REV: C	X° ±1°