



| SIGN | DATE       | DESCRIPTION                          | APPROVER |
|------|------------|--------------------------------------|----------|
| △    | 6/03'09    | Add the tolerance table              | Jacke    |
| △    | 6/03'09    | The operating temperature is changed | Jacke    |
| △    | 2014.06.10 | update the drawing                   | Ji long  |

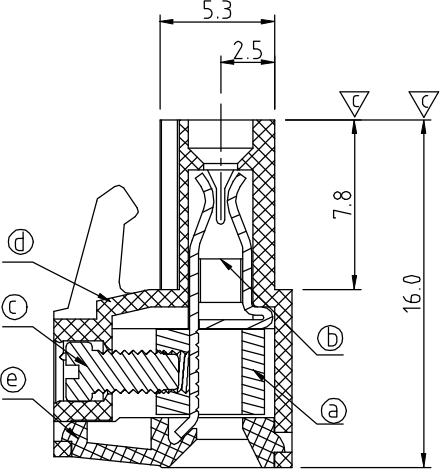
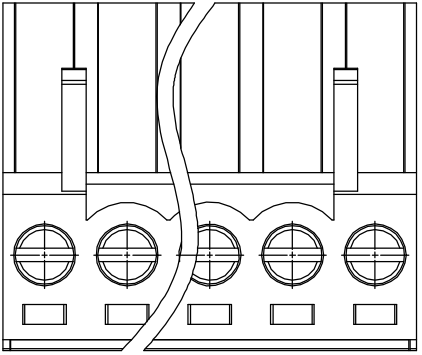
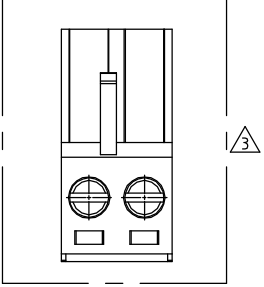
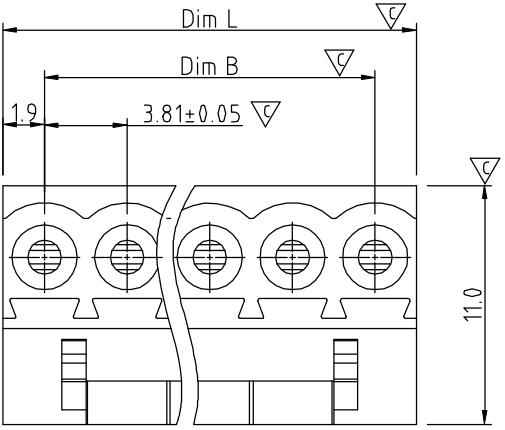
THIS IS CAD DRAWING, DO NOT REVISE MANUALLY!!!

Material

- Item a Clamp: Brass (CuZn) Ni plated
  - Item b Female contact :PhBz(CuSn) Tin plated
  - Item c Terminal screw:Steel Zinc plating"-slot type
  - Item d Terminal (housing):Thermoplastic (UL94V-0)
  - Item e Terminal cover:Thermoplastic (UL94V-0)
- Electrical cULus
- Voltage rating:300V
  - Current rating:8A
  - Wire range:
  - Solid wire(AWG):16-28
  - Stranded wire(AWG):16-28
  - Torque(Lb-In):1.7
  - Screw:M2
  - Wire strip length:6-7mm
  - Withstanding Voltage:1.6KV
  - Operating temperature:-40°C to +115°C
  - Safety Approval: 
  - Critical dimension: 

VD xx 31 x 0 xxxx G

- △ Solid Block
  - 02 2 POLES
  - 03 3 POLES
  - ... ..
  - 24 24 POLES
- G RoHS compliant (lead<4%) In copper Alloy
  - 0000 Standard @ Logo
  - 000A Standard ANY Logo
  - 0091 Standard ANY Logo
  - Any special item by customer request, please contact sales department.
  - 0 Black (RAL9005)
  - 2 Red (RAL3001/D)
  - 3 Orange(RAL2011/P)
  - 4 Yellow(RAL1018/A)
  - 5 Green(RAL6018/T)
  - 6 Blue (RAL5015/A)
  - 8 Grey(RAL 7035/D)
  - 9 White(RAL1102)
  - C Green(RAL6018/U)



N=Number of contacts  
Dim L=NX3.81  
Dim B=(N-1)X3.81

|         | Dim L | Dim B |
|---------|-------|-------|
| 2P-5p   | ±0.15 | ±0.15 |
| 6P-10p  | ±0.20 | ±0.20 |
| 11P-15p | ±0.25 | ±0.25 |
| 16P-20p | ±0.30 | ±0.30 |
| 21P-24p | ±0.35 | ±0.35 |

△

|   |         |                |                       |                      |  |            |  |
|---|---------|----------------|-----------------------|----------------------|--|------------|--|
| <b>ANYTEK</b>   |         |                |                       | <b>CUSTOMER COPY</b> |  |            |  |
| ALL RIGHTS RESERVED. REPRODUCTION OR ISSUE TO THIRD PARTIES IN ANY FORM WHATSOEVER IS NOT PERMITTED WITHOUT WRITTEN AUTHORITY FROM THE PROPRIETOR. PROPERTY OF ANYTEK TECHNOLOGY CO., LTD |         |                |                       |                      |  |            |  |
| TITLE   |         | VD-3.81 SERIES |                       | DWG NO.              |  | 8VD0001    |  |
| PART NO.  |         | VDxx31x0xxxxG  |                       | CUST NO.             |  |            |  |
| APPROVED  | CHECKED | DESIGNED       | DRAWN                 | Tolerance            |  |            |  |
|   |         |                | Ji long<br>2014.06.10 | UNIT: mm             |  | X. ±0.50   |  |
|   |         |                |                       | SCALE: NONE          |  | X.X ±0.30  |  |
|   |         |                |                       | SHEET: 01/01         |  | X.XX ±0.10 |  |
|   |         |                |                       | REV.: E              |  | X° ±1°     |  |