

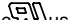


SIGN	DATE	DESCRIPTION	APPROVER
△	11.01'05	Standard spec is changed.	Marivn
△	8/07'06	Added VDE and TUV standard	梁仁松
△	2010.03.12	Add the 2p mark	Jacke

THIS IS CAD DRAWING, DO NOT REVISE MANUALLY!!!

**Material**

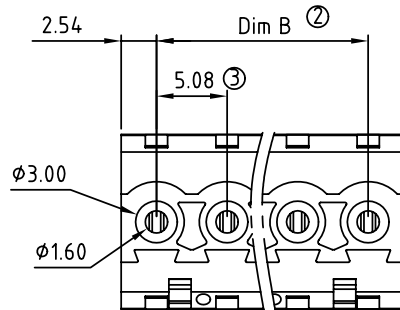
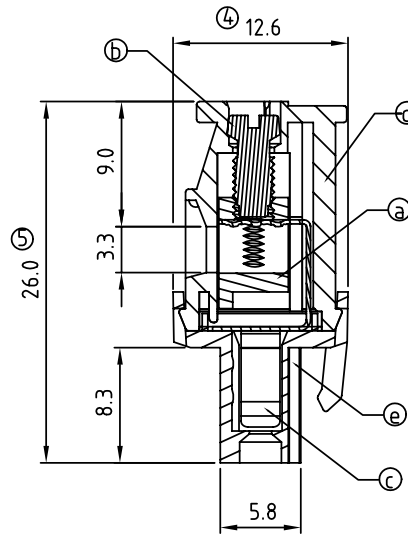
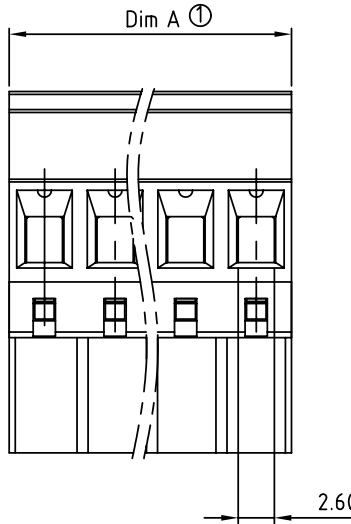
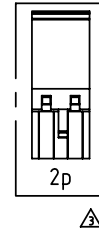
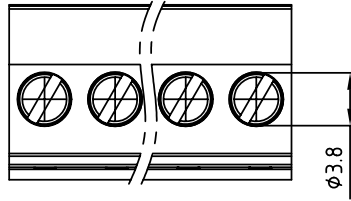
- Item ① Clamp: Brass(CuZn), Ni plating
- Item ② Terminal screw: Steel Cr3+ Zinc plating "-" slot type
- Item ③ Female contact: PhBz, Tin plated
- Item ④ Terminal up body: PA66 (UL94V-0)
- Item ⑤ Terminal down body: PA66 (UL94V-0)

△ △ Electrical cULus/VDE/TUV

- Voltage rating: 300VAC/300VAC/300VAC
- Current rating: 15A/17A/15A
- Wire range: 2.5mm<sup>2</sup> /0.34-2.5mm<sup>2</sup>
- Solid wire(AWG): 12-24
- Stranded wire(AWG): 12-24
- Torque: 3.5Lb-In./0.5Nm/0.4Nm
- Screw: M3
- Wire strip length: 6-7mm
- Withstanding Voltage: 1.6KV/2.5KV/2.5KV
- Operating temperature: -40°C to +115°C
- Safety approval:   

**TS xx 51x B xxxx G**

	Color	0000: "@ " Logo	RoHS
02 2 CONTACTS	0 Black (RAL9005)	000A: "ANYTEK" Mark	Pb<40,000ppm
03 3 CONTACTS	2 Red (RAL3001/D)	0091: "ANYTEK" Mark	
... ..	3 Orange(RAL2011/P)	Any special item by	
24 24 CONTACTS	4 Yellow(RAL1018/A)	customer request.	
	5 Green(RAL6018/T)	please contact sales	
	6 Blue (RAL5015/A)	department.	
	8 Grey(RAL7035/D)		



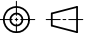
N = Number of poles  
 Dim A=Nx5.08  
 Dim B=(N-1)x5.08

	Dim A	Dim B
2-6p	±0.15	±0.15
7-12p	±0.20	±0.20
13-18p	±0.30	±0.30
19-24p	±0.40	±0.40

**ANYTEK**

**CUSTOMER COPY**

ALL RIGHTS RESERVED. REPRODUCTION OR ISSUE TO THIRD PARTIES IN ANY FORM WHATSOEVER IS NOT PERMITTED WITHOUT WRITTEN AUTHORITY FROM THE PROPRIETOR. PROPERTY OF ANYTEK TECHNOLOGY CO., LTD

TITLE		TS-5.08mmSeries(W/latching hooks on the back side)			
PART NO.	TSxx51xBxxxxG	DWG NO.	8TS0102		
APPROVED	CHECKED	DESIGNED	DRAWN	CUST NO.	Tolerance
		Jacke 2010.03.12	Jacke 2009.11.13		UNIT: mm SCALE: NONE REV.: F
				SHEET: 01/01	X. ±0.50 X.X ±0.30 X.XX ±0.10 X° ±1°