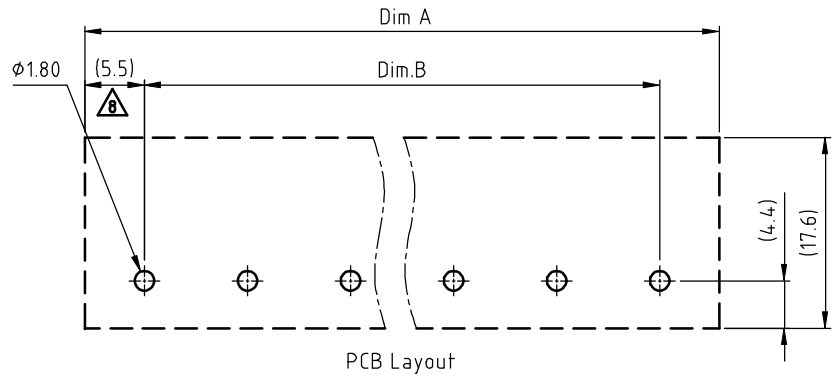
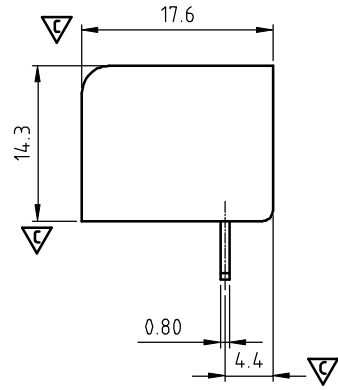
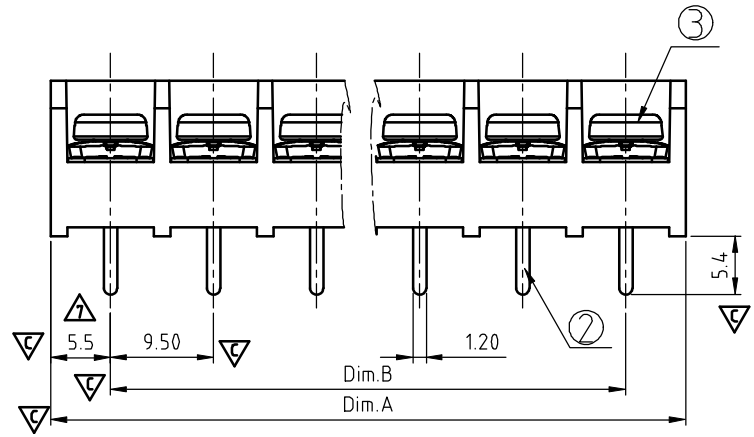
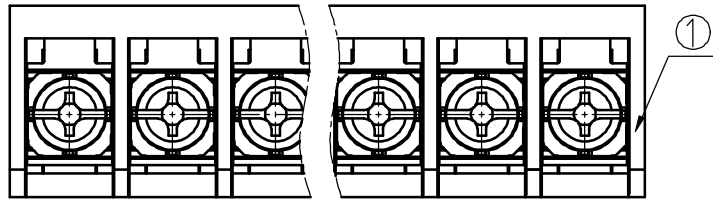


SIGN	DATE	DESCRIPTION	APPROVER
△	10/17'08	Add APPROVAL: : CQC	Kind
△	3/5'09	The terminal material changed from Brass to PHBZ.	Kind
△	4/17'09	Explanation changed	Eris
△	06/04'11	Critical dimension is changed.	Tason
△	06/04'11	The Wire Range is changed from 20-14AWG to 22-14AWG	Tason
△	06/04'11	The tolerance table is changed.	Tason
△	06/16'11	The dimension is changed from 5.55 to 5.5	Tason
△	06/16'11	The dimension is changed from (5.6) to (5.5)	Tason
△	06/16'11	The dimension is changed from 1.6 to 1.5	Tason
△	11/10'12	Change the screw plating specification	Jacky
△	12/19'13	Change the withatand voltage , current, Screw Torque.	Jacky

*THIS IS CAD DRAWING, DO NOT REVISE MANUALLY!!!*



△  
 N = Number of poles  
 Dim A = N x 9.5 + 1.5 △  
 Dim B = (N - 1) x 9.5

Poles	Tol.	Dim A & B
2-4p		±0.20
5-8p		±0.25
9-16p		±0.35
17-23p		±0.40
24-30p		±0.50

**MATERIALS ELECTRICAL**      cULus      CQC

△**3** RATED VOLTAGE & CURRENT: 300 V, 30A / 300V 24A △**11**

WITHSTAND VOLTAGE: AC2500V/min △**11**

INSULATION RESISTANCE: 1000 MΩ OR MORE AT DC 500 V

OPERATING TEMPERATURE RANG: -40 °C ~ +115 °C

SCREW TORQUE VALUE: 10.54 Lb-In. / 0.8Nm △**11**

△**3** WIRE RANGE: 22 - 10 AWG / 22-14 AWG △**11**

1) MOLDED PARTS: Thermoplastic, UL 94 V-0 BLACK

△**3** △**2** 2) TERMINAL: BRASS, 0.8t, Tin PLATED

△**10** 3) TERMINAL SCREWS: STEEL, M3.5

△**4** Critical dimension: △**11**

△**1** APPROVAL:

PART NO:

**YK 441 xx 0 x x 00G**

NO. OF POLES ————

02: 2 POLES      RoHS compliant (lead<4%)  
 03: 3 POLES      In copper Alloy  
 04: 4 POLES      MARK 0: "@" MARK  
 :  
 30: 30 POLES      1: "ANY" MARK

TERMINAL & SCREW PLATED

△**10** 0: TERMINAL & SCREW: G/F  
 △**10** 1: TERMINAL: G/F, SCREW: Zinc  
 △**10** 2: TERMINAL: Sn, SCREW: G/F  
 △**10** 3: TERMINAL: Sn, SCREW: Zinc

<b>ANYTEK</b>				<b>CUSTOMER COPY</b>			
ALL RIGHTS RESERVED. REPRODUCTION OR ISSUE TO THIRD PARTIES IN ANY FORM WHATSOEVER IS NOT PERMITTED WITHOUT WRITTEN AUTHORITY FROM THE PROPRIETOR. PROPERTY OF ANYTEK TECHNOLOGY CO., LTD							
TITLE		YK-441 Series		DWG NO.		8YK0001-441	
PART NO.		YK441xx0xx00G		DWG NO.		8YK0001-441	
APPROVED		DESIGNED		CUST NO.		Tolerance	
		Jacky 2013.12.19				X. ±0.50	
		Jacky 2013.12.19				X.X ±0.30	
						X.XX ±0.10	
						X° ±1°	
				SHEET: 01/01		REV.: K	