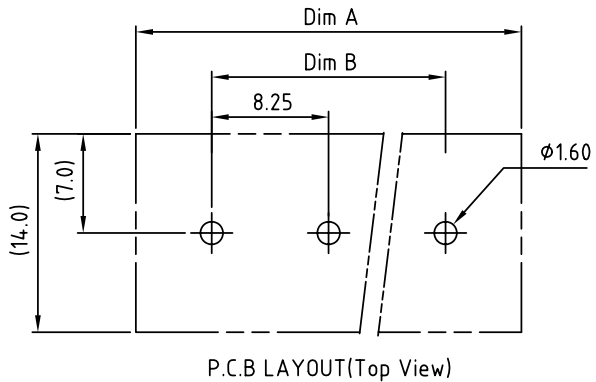
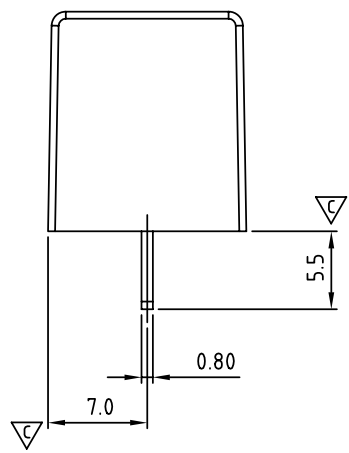
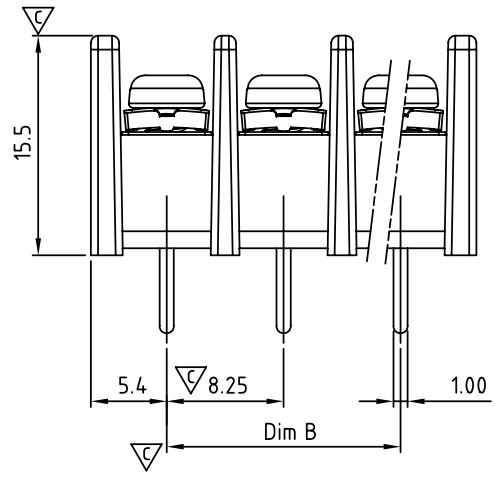
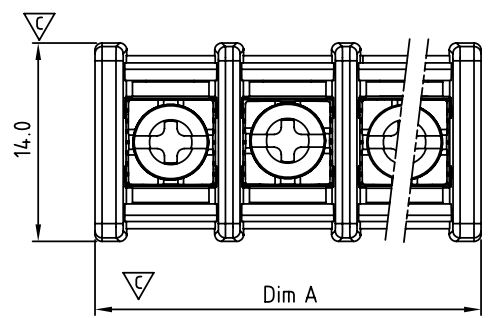


SIGN	DATE	DESCRIPTION	APPROVER
△	2/06'06	Part No. changed	Tony
△	11/05'12	Change the dimensional tolerance	Jacky
△	11/05'12	Change the screw plating specification	Jacky
△	11/05'12	Change the electrical specification	Jacky

THIS IS CAD DRAWING, DO NOT REVISE MANUALLY!!!

N = Number of poles  
 Dim A = N × 8.25 + 2.5  
 Dim B = (N - 1) × 8.25

	Dim A	Dim B
2p-5p	±0.25	±0.25
6p-10p	±0.35	±0.35
11p-18p	±0.40	±0.40
19p-30p	±0.50	±0.50



MATERIALS ELECTRICAL  
 RATED VOLTAGE & CURRENT: 300 V, 20 A  
 WITHSTAND VOLTAGE: AC 2000 V/Min  
 INSULATION RESISTANCE: 1000 MΩ OR MORE AT DC 500 V  
 △ OPERATING TEMPERATURE RANG: -40 °C ~ +115 °C  
 SCREW TORQUE VALUE: 8.8 Lb-in.  
 WIRE RANGE: 22 - 12 AWG  
 1) MOLDED PARTS: POLYIMIDE 66, UL 94 V-0 BLACK  
 2) TERMINAL: BRASS, 0.8t, Tin PLATED  
 △ 3) TERMINAL SCREWS: STEEL, M3

APPROVAL: Us  
 △ PART NO.:  
 Critical dimension: YK 412 xx 0 x x 00G  
 NO. OF POLES  
 02: 2 POLES  
 03: 3 POLES  
 04: 4 POLES  
 ⋮  
 30: 30 POLES  
 RoHS compliant (lead<4%) In copper Alloy  
 MARK  
 0: "@" MARK  
 1: "ANY" MARK  
 TERMINAL & SCREW PLATED  
 0: TERMINAL & SCREW: G/F  
 △ 1: TERMINAL: G/F, SCREW: Zinc  
 2: TERMINAL: Sn, SCREW: G/F  
 △ 3: TERMINAL: Sn, SCREW: Zinc

<b>ANYTEK</b>				<b>CUSTOMER COPY</b>			
ALL RIGHTS RESERVED. REPRODUCTION OR ISSUE TO THIRD PARTIES IN ANY FORM WHATSOEVER IS NOT PERMITTED WITHOUT WRITTEN AUTHORITY FROM THE PROPRIETOR. PROPERTY OF ANYTEK TECHNOLOGY CO., LTD							
TITLE		YK-412 W/O Flange Series					
PART NO.		YK412xx0xx00G		DWG NO.		8YK0001-412	
APPROVED		CHECKED		DESIGNED		DRAWN	
				Jacky 2012.11.05		Jacky 2012.11.05	
				CUST NO.		Tolerance	
						X. ±0.50 X.X ±0.30 X.XX ±0.10 X° ±1°	
				SHEET: 01/01		REV.: D	