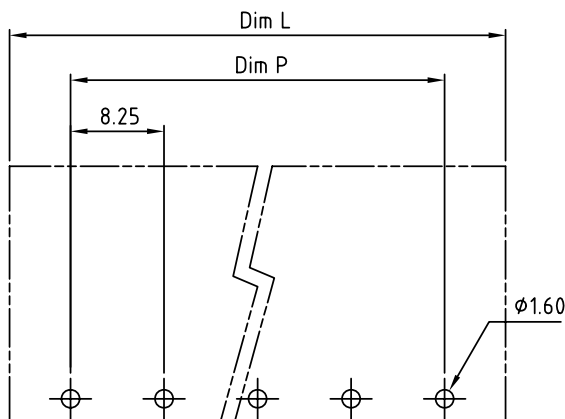
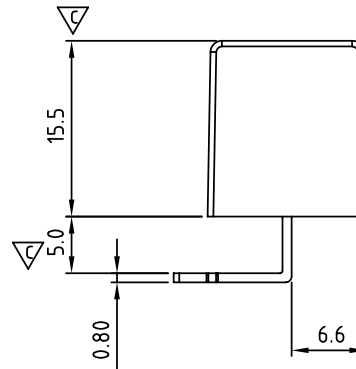
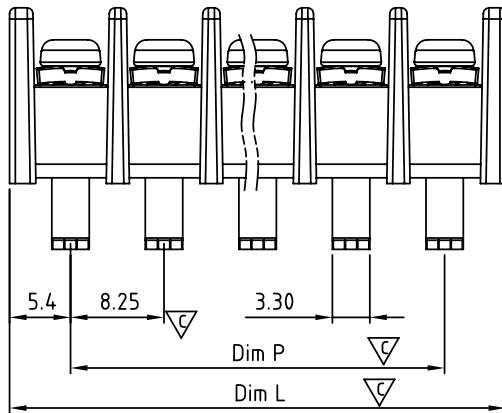


N = Number of poles
 Dim L = $N \times 8.25 + 2.5$
 Dim P = $(N - 1) \times 8.25$

	Dim L	Dim P
2p-5p	±0.25	±0.25
6p-10p	±0.35	±0.35
11p-18p	±0.40	±0.40
19p-30p	±0.50	±0.50



P.C.B. LAYOUT

SIGN	DATE	DESCRIPTION	APPROVER
△	2/06'06	Part No. changed	Tony
△	11/03'12	Change the screw plating specification	Jacky
△	11/03'12	Change the electrical specification	Jacky
△	11/03'12	Change the dimensional tolerance	Jacky

THIS IS CAD DRAWING, DO NOT REVISE MANUALLY!!!

MATERIALS ELECTRICAL

- RATED VOLTAGE & CURRENT: 300 V, 20 A
 WITHSTAND VOLTAGE: AC 2000 V/Min
 INSULATION RESISTANCE: 1000 MΩ OR MORE AT DC 500 V
 △ OPERATING TEMPERATURE RANG: -40 °C ~ +115 °C
 SCREW TORQUE VALUE: 8.8 Lb-In.
 WIRE RANGE: 22 - 12 AWG
 1) MOLDED PARTS: POLYIMIDE 66, UL 94 V-0 BLACK
 2) TERMINAL: BRASS, 0.8t, Tin PLATED
 3) TERMINAL SCREWS: STEEL, M3

APPROVAL:

△ PART NO.:
 Critical dimension:

YK 411 xx 0 x x 00G

NO. OF POLES
 02: 2 POLES
 03: 3 POLES
 04: 4 POLES

30: 30 POLES

RoHS compliant
 (lead<4%) In copper Alloy
 MARK
 0: "@" MARK
 1: "ANY" MARK

TERMINAL & SCREW PLATED
 0: TERMINAL & SCREW: G/F
 △ 1: TERMINAL: G/F, SCREW: Zinc
 2: TERMINAL: Sn, SCREW: G/F
 △ 3: TERMINAL: Sn, SCREW: Zinc

ANYTEK

CUSTOMER COPY

ALL RIGHTS RESERVED. REPRODUCTION OR ISSUE TO THIRD PARTIES IN ANY FORM WHATSOEVER IS NOT PERMITTED WITHOUT WRITTEN AUTHORITY FROM THE PROPRIETOR. PROPERTY OF ANYTEK TECHNOLOGY CO., LTD

TITLE		YK-411 W/O Flange Series				
PART NO.		YK411xx0xx00G		DWG NO.	8YK0001-411	
APPROVED	CHECKED	DESIGNED	DRAWN	CUST NO.		Tolerance
		Jacky 2012.11.03	Jacky 2012.11.03			X. ±0.50
						UNIT: mm
				SHEET: 01/01		X.X ±0.30
				REV.: D		X.XX ±0.10
						X° ±1°