


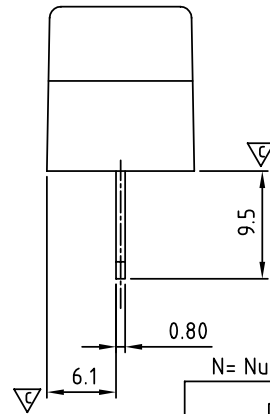
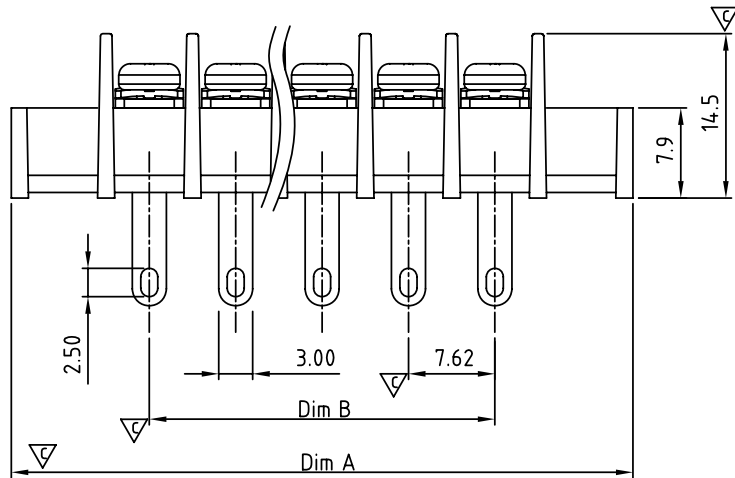
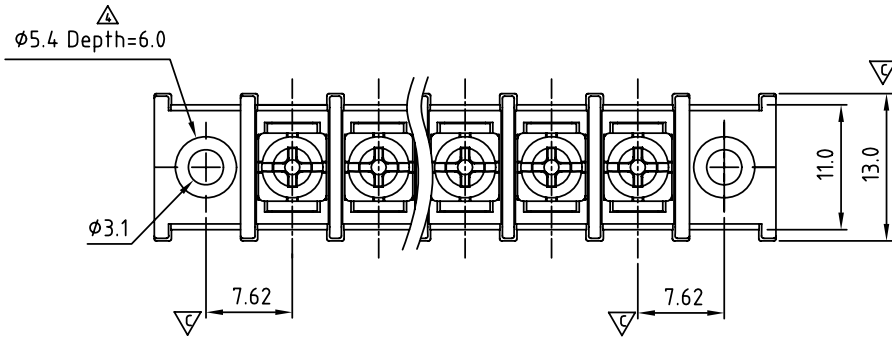
SIGN	DATE	DESCRIPTION	APPROVER
△	11/21'12	Change the screw plating specification	Jacky
△	11/21'12	Change the dimensional tolerance	Jacky
△	11/21'12	Change the electrical specification	Jacky
△	11/21'12	Add the dimensional label	Jacky

THIS IS CAD DRAWING, DO NOT REVISE MANUALLY!!!

**MATERIALS ELECTRICAL**

RATED VOLTAGE & CURRENT: 250 V, 15 A  
 WITHSTAND VOLTAGE: AC 2000 V/Min  
 INSULATION RESISTANCE: 1000 MΩ OR MORE AT DC 500 V  
 △ OPERATING TEMPERATURE RANG: -40 °C ~ +115 °C  
 SCREW TORQUE VALUE: 5.3 Lb-In.  
 WIRE RANGE: 22 - 16 AWG  
 1) MOLDED PARTS: Thermoplastic, UL 94 V-0 BLACK  
 2) TERMINAL: BRASS, 0.8t, Tin PLATED  
 △ 3) TERMINAL SCREWS: STEEL, M3

APPROVAL:   
 Critical dimension: ▽



YK 315 xx 3 x x 00 G

NO. OF POLES  
 02: 2 POLES  
 03: 3 POLES  
 04: 4 POLES  
 :  
 :  
 30: 30 POLES

G:RoHS compliant(lead<4%)  
 in copper alloy

MARK  
 0: "@" MARK  
 1: "ANY" MARK

TERMINAL & SCREW PLATED  
 0: TERMINAL & SCREW: G/F  
 △ 1: TERMINAL: G/F, SCREW: Zinc  
 2: TERMINAL: Sn, SCREW: G/F  
 △ 3: TERMINAL: Sn, SCREW: Zinc

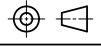
N= Number of poles △

DIM		TOL				
		2P-5P	6P-10P	11P-16P	17P-24P	25P-30P
Dim A	(N+2)×7.62+1.5	±0.20	±0.25	±0.35	±0.40	±0.50
Dim B	(N-1)×7.62	±0.20	±0.25	±0.35	±0.40	±0.50

**ANYTEK**

**CUSTOMER COPY**

ALL RIGHTS RESERVED. REPRODUCTION OR ISSUE TO THIRD PARTIES IN ANY FORM WHATSOEVER IS NOT PERMITTED WITHOUT WRITTEN AUTHORITY FROM THE PROPRIETOR. PROPERTY OF ANYTEK TECHNOLOGY CO., LTD

TITLE		YK-315 W/ Flange Series				
PART NO.		YK315xx3xx00G		DWG NO.		8YK0002-315
APPROVED		CHECKED	DESIGNED	DRAWN	CUST NO.	
			Jacky 2012.11.21	Jacky 2012.11.21	 UNIT: mm SCALE: NONE SHEET: 01/01 REV.: C	
					Tolerance X. ±0.50 X.X ±0.30 X.XX ±0.10 X° ±1°	