

SIGN	DATE	DESCRIPTION	APPROVER
△	10/26'10	Stranded Wire changed from 16-28 AWG to 16- 26 AWG.	Tason
△	10/26'10	Solid wire changed from 16-28 AWG to 16- 26 AWG.	Tason
△	02/22'11	Add the "cULus" Safety Approval	Tason
△	02/23'11	The Torque changed from 1.7 Lb-In to 2 Lb-In	Tason

THIS IS CAD DRAWING, DO NOT REVISE MANUALLY!!!

Material:

- Item ① Terminal housing: Thermoplastic (UL94 V-0)
- Item ② Terminal cover: Thermoplastic (UL94 V-0)
- Item ③ Metal housing: Steel , Zinc plated
- Item ④ Terminal screw: Steel Zinc plating "-" slot type.
- Item ⑤ Solder pin: Brass, Tin plated.

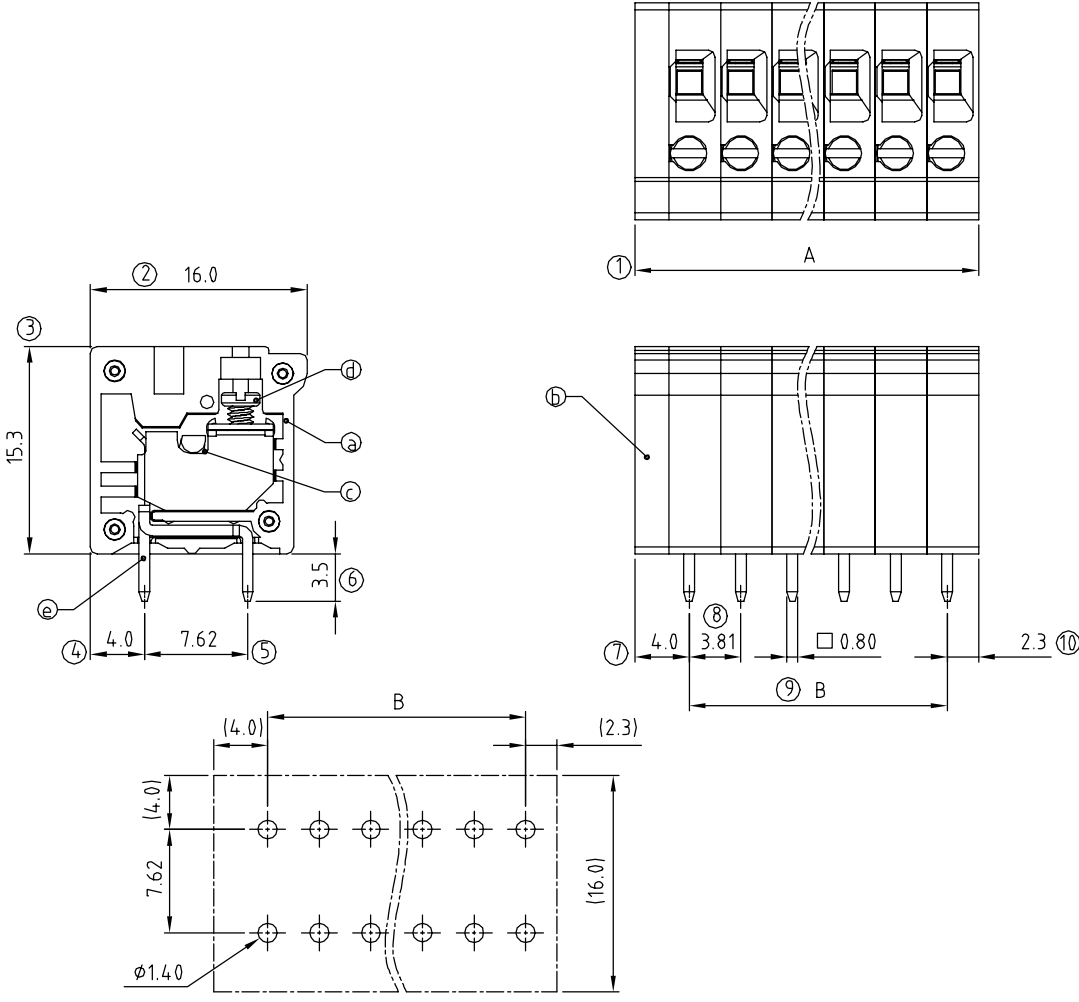
Electrical:

- Voltage rating: 300V
- Current rating: 8A
- Wire range:
- △ ● Solid wire(AWG): 16-26
- △ ● Stranded wire(AWG): 16-26
- Torque: 2Lb-In. △
- Screw: M2
- Wire strip length: 8-9mm
- Withstanding Voltage: 1.6KV
- Operating temperature: -40°C to +115°C
- Soldering temperature: 250°C±10°C/5 Sec
- △ ● SAFETY APPROVAL DATA: cULus

TR xx 3 5 x 0 xxxx G

No. OF POLES ———— G: Pb<40000ppm
 02: 2 POLES
 :
 24: 24 POLES

COLOR ———— 0000: "@" Logo (Standard)
 0: BLACK
 5: GREEN (RAL 6018/T)
 6: BLUE
 8: GREY (RAL 7004/P)
 000A: "ANYTEK" Mark
 Any special item by customer request.
 please contact sales department.



PCB Layout

POLE		2	3	4	5	6	7	8	9	10	11	12	
A		10.12	13.93	17.74	21.55	25.36	29.17	32.98	36.79	40.60	44.41	48.22	
B		3.81	7.62	11.43	15.24	19.05	22.86	26.67	30.48	34.29	38.10	41.91	
Tol.		±0.10					±0.15						
POLE		13	14	15	16	17	18	19	20	21	22	23	24
A		52.03	55.84	59.65	63.46	67.27	71.08	74.89	78.70	82.51	86.32	90.13	93.94
B		45.72	49.53	53.34	57.15	60.96	64.77	68.58	72.39	76.20	80.01	83.82	87.63
Tol.		±0.20					±0.30						

ANYTEK				CUSTOMER COPY															
ALL RIGHTS RESERVED. REPRODUCTION OR ISSUE TO THIRD PARTIES IN ANY FORM WHATSOEVER IS NOT PERMITTED WITHOUT WRITTEN AUTHORITY FROM THE PROPRIETOR. PROPERTY OF ANYTEK TECHNOLOGY CO., LTD																			
TITLE	TR 3.81mm 90D Series																		
PART NO.	TRxx35x0xxxxG			DWG NO.	8TR0201														
APPROVED	CHECKED	DESIGNED	DRAWN	CUST NO.	Tolerance														
		Tason 2011.02.22	Kind 2009.12.21		<table border="1" style="font-size: x-small;"> <tr> <td>UNIT: mm</td> <td>X.</td> <td>±0.50</td> </tr> <tr> <td>SCALE: NONE</td> <td>X.X</td> <td>±0.30</td> </tr> <tr> <td></td> <td>X.XX</td> <td>±0.10</td> </tr> <tr> <td></td> <td>X°</td> <td>±1°</td> </tr> </table>			UNIT: mm	X.	±0.50	SCALE: NONE	X.X	±0.30		X.XX	±0.10		X°	±1°
UNIT: mm	X.	±0.50																	
SCALE: NONE	X.X	±0.30																	
	X.XX	±0.10																	
	X°	±1°																	
				SHEET: 01/01	REV.: D														