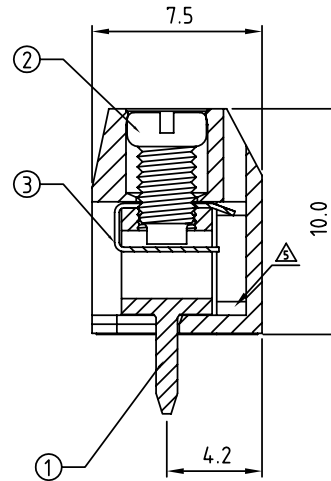
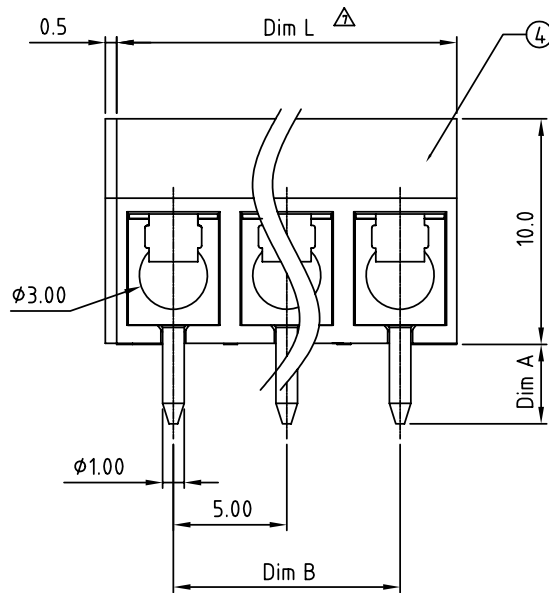
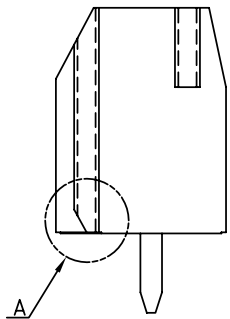
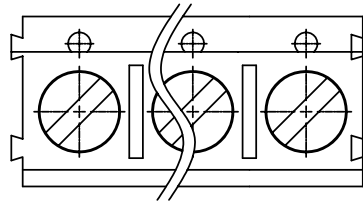
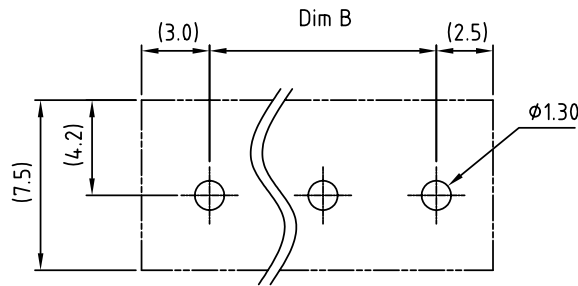


VIEW A



N=Number of contacts



RECOMMENDED PCB LAYOUT

N = Number of poles

Dim L=Nx5.0

Dim B=(N-1)x5.0

	Dim L	Dim B
2-6p	±0.15	±0.10
7-12p	±0.20	±0.20
13-18p	±0.30	±0.25
19-24p	±0.40	±0.30

SIGN	DATE	DESCRIPTION	APPROVER
△	02/09'06	Part No. is changed.	Marvin
△	06/22'06	Safety is changed from UL 250V/16A to cULus 300V/15A	Marvin
△	08/01'06	cULus Solid wire and Stranded wire is changed.	Marvin
△	04/19'07	Soldering temperature is changed from 245 to 250	Marvin
△	04/19'07	Body is changed.	Marvin
△	04/03'10	Part No. is changed.	Tason
△	07/23'10	Dim A to Dim L	Tason
△	09/27'10	Wire range is changed from 0.75-1.5mm ² to 0.5-1.5mm ²	Tason

THIS IS CAD DRAWING, DO NOT REVISE MANUALLY!!!

Material

- Item① Terminal body(metal housing): Brass(CuZn),Tin plated
- Item② Terminal screw: Steel Zinc plating "-" slot type
- Item③ Wire guard: Stainless steel
- Item④ Insulator (housing): Thermoplastic (UL94V-0)

- △ Electrical cULus//VDE
 - Voltage rating: 300VAC/250VAC
 - Current rating: 15A/17.5A
- △ ● Wire range:0.5-1.5mm²
 - Solid wire(AWG): 14-22/14-22
 - Stranded wire(AWG): 14-22/14-22
- Torque: 2.6Lb-In/0.4Nm
- Screw: M2.6
- Wire strip length: 6-7mm
- Withstanding Voltage: 1.6KV/2KV
- Operating temperature: -40°C to +115°C
- △ ● Soldering temperature: 250°C±10°C/5 Sec
- SAFETY APPROVAL DATA:

TC xx 0 3 x x A5xx G

POLES	Color	Dim A Length	Rohs Compliant
02 02 CONTACTS	0 Black (RAL9005)	0 4.4mm	A50 0 @ Mark
03 03 CONTACTS	2 Red (RAL3001/D)	1 3.8mm	A50 A ANY Mark
...	3 Orange(RAL2011/P)	2 3.5mm	Any special item by
24 24 CONTACTS	4 Yellow(RAL1018/A)		customer request,
	5 Green(RAL6018/T)		please contact sales
	6 Blue (RAL5015/A)		department.
	8 Grey(RAL7035/D)		

ANYTEK

CUSTOMER COPY

ALL RIGHTS RESERVED. REPRODUCTION OR ISSUE TO THIRD PARTIES IN ANY FORM WHATSOEVER IS NOT PERMITTED WITHOUT WRITTEN AUTHORITY FROM THE PROPRIETOR. PROPERTY OF ANYTEK TECHNOLOGY CO., LTD

TITLE		TC-5.0mm Solid Block type series (2p-24p) "-"		
PART NO.	TCxx03xxA5xxG △	DWG NO.	8TC0102	
APPROVED	CHECKED	DESIGNED	DRAWN	CUST NO.
		Tason 2010.09.27	Tason 2010.04.3	
				Tolerance
				X. ±0.50
				X.X ±0.30
				X.XX ±0.10
				X° ±1°
SHEET: 01/01				REV.: I