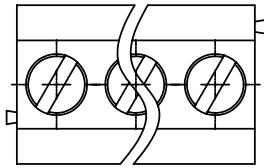


SIGN	DATE	DESCRIPTION	APPROVER
△	04/20/10	Add the tolerance table	Tason
△	10/19/10	Add the "cUL"	Tason

THIS IS CAD DRAWING, DO NOT REVISE MANUALLY!!!

N = Number of poles
 Dim A = (N-1) X 3.5
 Dim B = N x 3.5 △

	Dim A	Dim B
2P	±0.10	±0.10
3-6p	±0.15	±0.15
7-12p	±0.20	±0.20
13-18p	±0.30	±0.30
19-24p	±0.40	±0.40

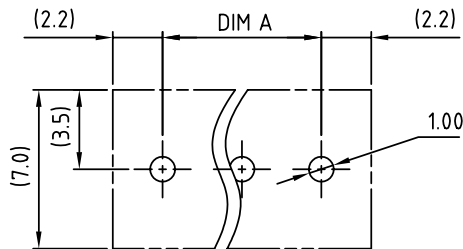
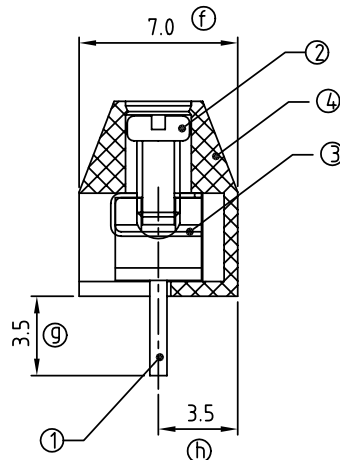
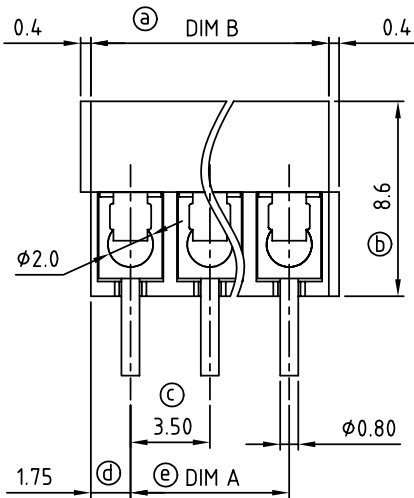


Material

- Item ① Terminal body(metal housing): Brass(CuZn), Tin plated
- Item ② Terminal screw: Steel Zinc plating "-" slot type
- Item ③ Wire guard: Stainless steel
- Item ④ Insulator (housing): Thermoplastic (UL94V-0)

Electrical UL/CUL

- Voltage rating: 125VAC/125V
- Current rating: 10A/10A
- Wire range:
- Solid wire(AWG): 16-26/16-26
- Stranded wire(AWG): 16-26/16-16
- Torque(Lb-In): 1.7/1.7
- Screw: M2
- Wire strip length: 5-6mm
- Withstanding Voltage: 1.25KV
- Operating temperature: -40°C to +115°C
- Soldering temperature: 250°C±10°C/5 Sec
- Safety Approval:



P.C.B. LAYOUT

T5 xx 01 x 0 xxxx G			
02 2 CONTACTS 03 3 CONTACTS ... 24 24 CONTACTS	COLOR 0 Black (RAL9005) 5 Green(RAL6018/T) 6 Blue (RAL5015/A) 8 Grey(RAL7035/D)	0000: "@ " Logo 000A: "ANYTEK" Logo Any special item by customer request. please contact sales department.	RoHS Pb<40,000ppm

<h1>ANYTEK</h1>		<h2>CUSTOMER COPY</h2>	
ALL RIGHTS RESERVED. REPRODUCTION OR ISSUE TO THIRD PARTIES IN ANY FORM WHATSOEVER IS NOT PERMITTED WITHOUT WRITTEN AUTHORITY FROM THE PROPRIETOR. PROPERTY OF ANYTEK TECHNOLOGY CO., LTD			
TITLE	T5-3.5mm Series		
PART NO.	T5xx01x0xxxxG	DWG NO.	8T50001
APPROVED	CHECKED	DESIGNED	DRAWN
		Tason 2010.10.19	Tason 2010.04.20
		Tolerance X. ±0.50 X.X ±0.30 X.XX ±0.10 X° ±1°	
SHEET: 01/01		UNIT: mm SCALE: NONE REV.: F	