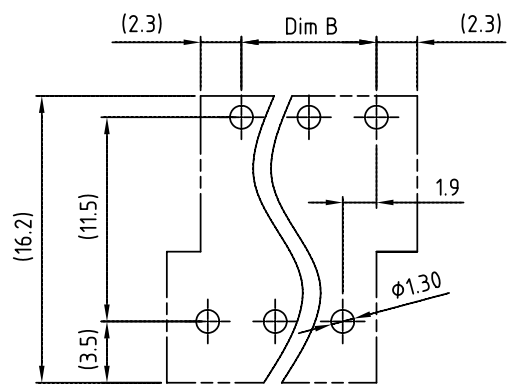
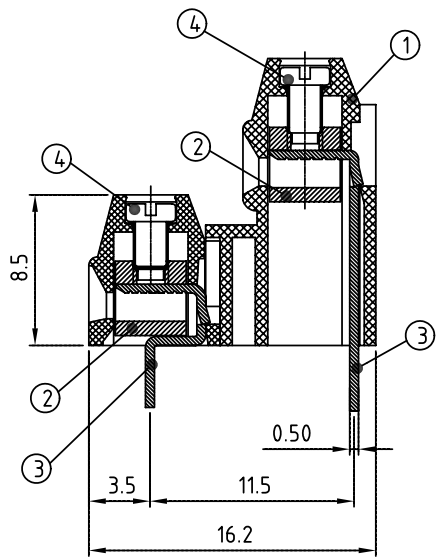


Dim A=N×3.81  
Dim B=(N-1)×3.81

N=1/2Number of contacts

POLES	TOL
2×2p-2×6p	+0.15/-0.15
2×7p-2×12p	+0.20/-0.20
2×13p-2×18p	+0.25/-0.25
2×19p-2×24p	+0.30/-0.30



SIGN	DATE	DESCRIPTION	APPROVER
△	01/18'07	Soldering temperature changed from 245° to 250°	Tason
△	01/18'07	Part NO is Changed	Tason
△	6/06'08	Voltage rating is Changed 150V to 300V	Marvin
△	6/06'08	Operating temperature is Changed	Marvin

THIS IS CAD DRAWING, DO NOT REVISE MANUALLY!!!

Material:

- Item 1 Terminal housing : Thermoplastic (UL 94V-0)
- Item 2 Clamp : Brass ,Ni plated
- Item 3 Wire guard solder pin : Brass ,Tin plated
- Item 4 Terminal screw: Steel Zinc plating"-slot type

Electrical cULus

- △ ● Voltage rating: 300VAC
- Current rating: 10A
- Wire range:
  - Solid wire(AWG): 16-24
  - Stranded wire(AWG): 16-24
- Torque(Lb-In): 1.7
- Screw: M2
- Wire strip length: 5-6mm
- Withstanding Voltage: 1.6KV
- △ ● Operating temperature: -40°C to +115°C
- △ ● Soldering temperature: 250°C±10°C/5 Sec
- Safety Approval: cULus

△ YQ xx 41 x 0 xxxx G

- 04 2×2 CONTACTS
- 06 2×3 CONTACTS
- ... ..
- 48 2×24 CONTACTS

- 0 Black
- 5 Green(RAL 6018/T)
- 6 Blue
- 8 Grey(RAL 7035/D)

0000:"@Logo (Standard)  
000A:"ANYTEK"Logo  
Any special item by customer request, please contact sales department.  
Pb < 40,000ppm (RoHS)

<b>ANYTEK</b>				<b>CUSTOMER COPY</b>			
ALL RIGHTS RESERVED. REPRODUCTION OR ISSUE TO THIRD PARTIES IN ANY FORM WHATSOEVER IS NOT PERMITTED WITHOUT WRITTEN AUTHORITY FROM THE PROPRIETOR. PROPERTY OF ANYTEK TECHNOLOGY CO., LTD							
TITLE		YQ-3.81mm SERIES Left					
PART NO.		YQxx41x0xxxxG			DWG NO.		8YQ0101
APPROVED		CHECKED	DESIGNED	DRAWN	CUST NO.		Tolerance
		Marvin 2008.06.06	Marvin 2008.06.06	Marvin 2008.06.06			X. ±0.50 X.X ±0.30 X.XX ±0.10 X° ±1°
						UNIT: mm	
				SHEET: 01/01		SCALE: NONE	
				REV.: E			