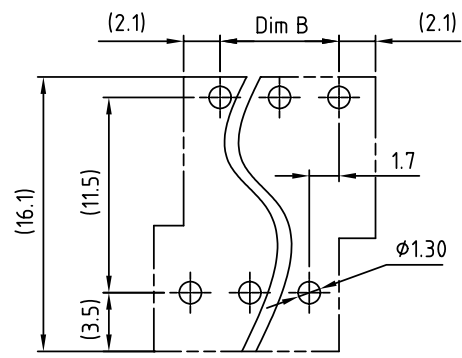
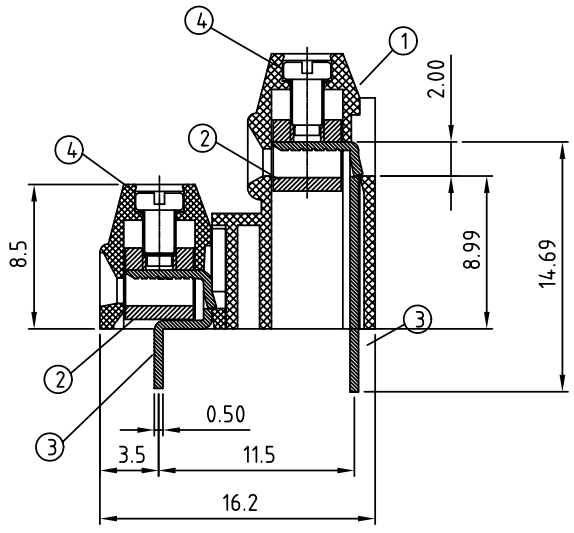
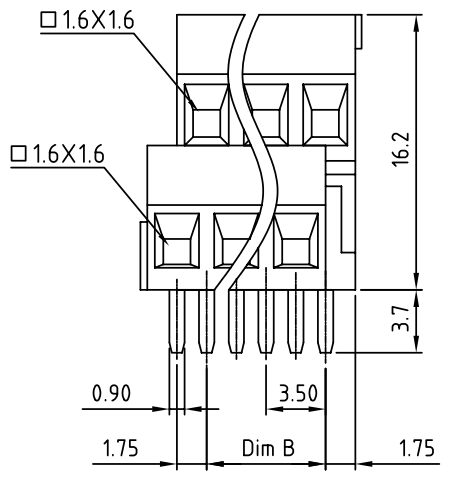


DimA=N×3.5
DimB=(N-1)×3.5

N=1/2Number of contacts

POLES	TOL
2×2p-2×6p	+0.15/-0.15
2×7p-2×12p	+0.20/-0.20
2×13p-2×18p	+0.25/-0.25
2×19p-2×24p	+0.30/-0.30



P.C.B. LAYOUT

SIGN	DATE	DESCRIPTION	APPROVER
△	01/18'07	Soldering temperature changed from 245° to 250°	Tason
△	01/18'07	Part NO is Changed	Tason
△	6/06'08	Voltage rating is Changed 150V to 300V	Marvin
△	6/06'08	Operating temperature is Changed	Marvin

THIS IS CAD DRAWING, DO NOT REVISE MANUALLY!!!

Material:

- Item 1 Terminal housing : Thermoplastic (UL 94V-0)
- Item 2 Clamp : Brass ,Ni plated
- Item 3 Wire guard solder pin : Brass ,Tin plated
- Item 4 Terminal screw: Steel Zinc plating"-slot type

Electrical cULus

- △ ● Voltage rating: 300VAC
- Current rating: 10A
- Wire range:
 - Solid wire(AWG): 16-24
 - Stranded wire(AWG): 16-24
- Torque(Lb-In): 1.7
- Screw: M2
- Wire strip length: 5-6mm
- Withstanding Voltage: 1.6KV
- △ ● Operating temperature: -40°C to +115°C
- △ ● Soldering temperature: 250°C±10°C/5 Sec
- Safety Approval: cULus

△ YQ xx 01 x 0 xxxx G

04	2×2 CONTACTS	0	Black	0000:"@Logo (Standard)	Pb < 40,000ppm
06	2×3 CONTACTS	5	Green	000A:"ANYTEK"Logo	(RoHS)
...	...	6	Blue	Any special item by	
48	2×24 CONTACTS	8	Grey	customer request,	
				please contact sales	
				department.	

ANYTEK

CUSTOMER COPY

ALL RIGHTS RESERVED. REPRODUCTION OR ISSUE TO THIRD PARTIES IN ANY FORM WHATSOEVER IS NOT PERMITTED WITHOUT WRITTEN AUTHORITY FROM THE PROPRIETOR. PROPERTY OF ANYTEK TECHNOLOGY CO., LTD

TITLE		YQ-3.5mm -L series			DWG NO.		8YQ0001	
PART NO.		YQxx01x0xxxxG			CUST NO.			
APPROVED	CHECKED	DESIGNED	DRAWN	Tolerance				
	Marvin	Marvin	Marvin	X. ±0.50				
	2008.06.06	2008.06.06	2008.06.06	X.X ±0.30				
				X.XX ±0.10				
				X° ±1°				
				UNIT: mm				
				SCALE: NONE				
				SHEET: 01/01				
				REV.: E				