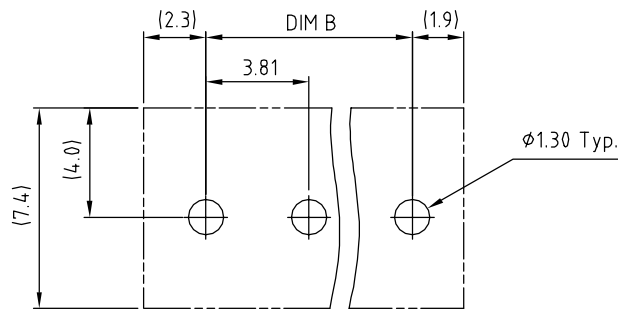
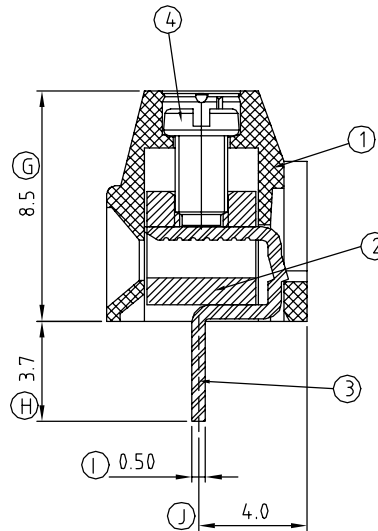
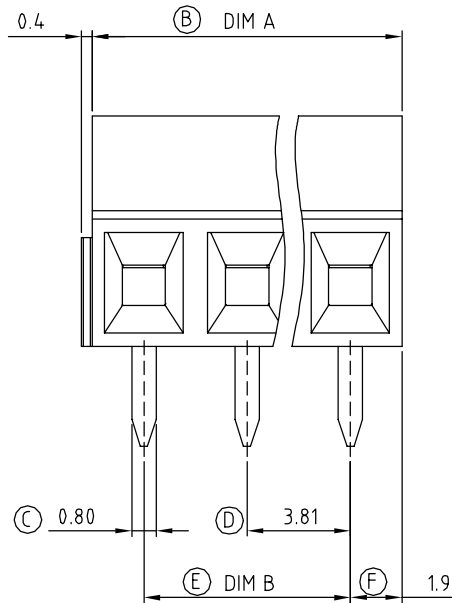


Dimension

Dim A =  $N \times 3.81$   
 Dim B =  $(N-1) \times 3.81$

N = Number of poles  $\Delta$

Poles	TOLERANCE
2P-5P	$\pm 0.15$
6P-12P	$\pm 0.30$
13P-24P	$\pm 0.40$



P.C.B. LAYOUT

SIGN	DATE	DESCRIPTION	APPROVER
$\Delta$	01/26'07	Soldering temperature changed from 245° to 250°	Tason
$\Delta$	01/26'07	Part NO is Changed	Tason
$\Delta$	9/01'08	增加公差标注	Seamus
$\Delta$	9/01'08	Operating temperature changed from -30°C/+105°C to -40°C/+115°C	Seamus
$\Delta$	12/08'10	Add is " TUV "	Aaron

*THIS IS CAD DRAWING, DO NOT REVISE MANUALLY !!!*

Material:

- Item 1 Terminal housing :Thermoplastic (UL 94V-0)
- Item 2 Clamp : Brass,Ni plated
- Item 3 Wire guard solder pin : Brass,Tin plated
- Item 4 Terminal screw: Steel Zinc plating"-slot type

$\Delta$  Electrical cULus / TUV

- Voltage rating: 300V / 300V
- Current rating: 10A / 12A
- Wire range: 0.2~1.5mm<sup>2</sup>
- Solid wire(AWG): 16-24
- Stranded wire(AWG): 16-24
- Torque: 1.7 Lb.in / 0.2Nm (stackable type: 1.5Kgf cm)
- Screw: M2
- Wire strip length: 5-6mm
- Withstanding Voltage: 1.6KV / 1.25KV
- $\Delta$  ● Operating temperature: -40°C to +115°C
- $\Delta$  ● Soldering temperature: 250°C $\pm$ 10°C/5 Sec
- Safety Approval:



$\Delta$  YO xx 21 x 0 xxxx G

			RoHS Pb<40,000ppm
No. of poles	0 Black (RAL9005)	0000 Standard @ Logo	
02 2 CONTACTS	5 Green(RAL6018/T)	000A Standard ANY Logo	
03 3 CONTACTS	6 Blue (RAL5015/A)	Any special item by	
... ..	8 Grey(RAL7035/D)	customer request,	
24 24 CONTACTS	C Green(RAL6018/U)	please contact sales	
		department.	

<b>ANYTEK</b>				<b>CUSTOMER COPY</b>			
ALL RIGHTS RESERVED. REPRODUCTION OR ISSUE TO THIRD PARTIES IN ANY FORM WHATEVER IS NOT PERMITTED WITHOUT WRITTEN AUTHORITY FROM THE PROPRIETOR. PROPERTY OF ANYTEK TECHNOLOGY CO., LTD							
TITLE		YO 3.81 Series 2p-24p		DWG NO.		8Y00101	
PART NO.		YOxx21x0xxxxG		CUST NO.			
APPROVED	CHECKED	DESIGNED	DRAWN			Tolerance	
			Chen Bo 2011.04.02			UNIT: mm	X. ±0.50
						SCALE: NONE	X.X ±0.30
				SHEET: 01/01		REV.: G	X.XX ±0.10
							X° ±1°