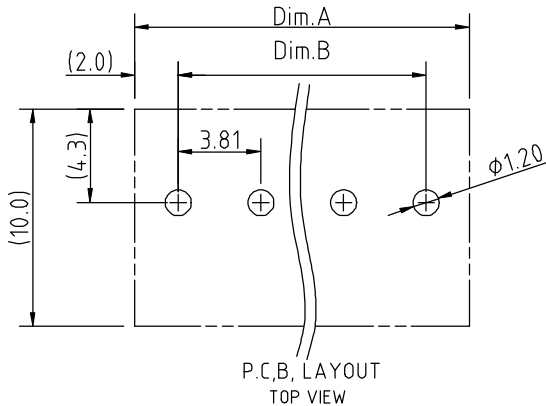
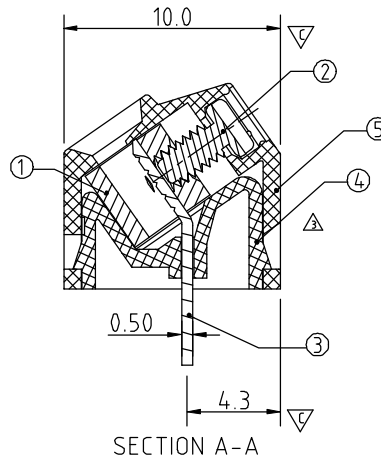
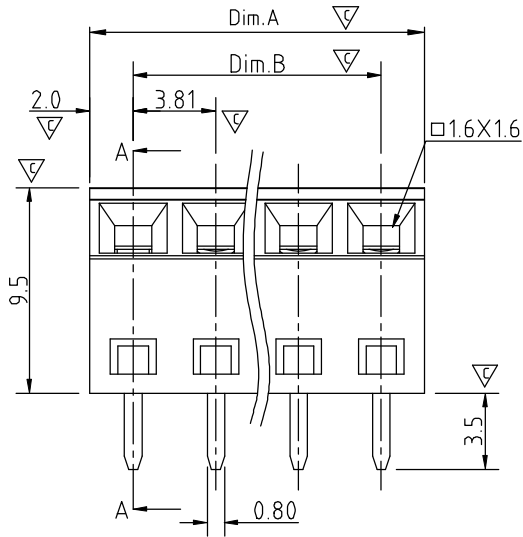


N = Number of poles
 Dim A = N x 3.81
 Δ Dim B = (N-1) x 3.81

Poles	Dim A	Dim B
2-6p	±0.20	±0.15
7-12p	±0.25	±0.20
13-18p	±0.30	±0.25
19-24p	±0.35	±0.30



SIGN	DATE	DESCRIPTION	APPROVER
△	8/16'06	Added cULus standard	Steady
△	02/01'07	Part NO is change	Tason
△	08/28'12	Enlarge the chamfer to be 35 degree more	Guoxue
△	8/28'12	temperature changed from -30°C-105°C to -40°C-115°C	Guoxue
△	8/28'12	temperature changed from 250°C±10°C/5 Sec to 260°C±5°C/5 Sec	Guoxue
△	8/28'12	Add the tolerances	Guoxue
△	7/01'13	update the drawing	Guoxue

THIS IS CAD DRAWING, DO NOT REVISE MANUALLY!!!

Material

- Item ① Terminal body (metal housing): Brass (CuZn) Ni plated
- △ ● Item ② Terminal screw: Steel Zinc plating "-" slot type
- Item ③ Contacts: Brass, Tin plated
- Item ④ Insulator (Cover): Thermoplastic (UL94V-0)
- Item ⑤ Insulator (Body): Thermoplastic (UL94V-0)

△ Electrical cULus

- Voltage rating: 300VAC
- Current rating: 10A
- Wire range:
 - Solid wire (AWG): 16-28
 - Stranded wire (AWG): 16-28
- Torque (Lb-In): 1.7
- Screw: M2
- Wire strip length: 5-6mm
- Withstanding Voltage: 1.6KV
- △ ● Operating temperature: -40°C to +115°C
- △ ● Soldering temperature: 260°C ± 5°C / 5 Sec
- Safety Approval: **cULus**
- Critical dimension:

△ △ TV xx 31x 0 xxxx G

02 2 poles	0 Black	000 0 Standard @ Logo	G: RoHS compliant
03 3 poles	5 Green (RAL6018/T)	000 A Standard ANY Logo	(lead < 4%)
~	6 Blue	Any special item by	In copper Alloy
	8 Grey (RAL 7035/D)	customer request,	
24 24 poles	C Green (RAL6018/U)	please contact sales department.	

ANYTEK				CUSTOMER COPY															
ALL RIGHTS RESERVED. REPRODUCTION OR ISSUE TO THIRD PARTIES IN ANY FORM WHATSOEVER IS NOT PERMITTED WITHOUT WRITTEN AUTHORITY FROM THE PROPRIETOR. PROPERTY OF ANYTEK TECHNOLOGY CO., LTD																			
TITLE	TV-3.81mm Series																		
PART NO.	TVxx31x0xxxxG			DWG NO.	8TV0101														
APPROVED	CHECKED	DESIGNED	DRAWN	CUST NO.	Tolerance														
		Guoxue 2013.07.08	Guoxue 2013.07.08		<table border="0"> <tr> <td>UNIT: mm</td> <td>X.</td> <td>±0.50</td> </tr> <tr> <td>SCALE: NONE</td> <td>X.X</td> <td>±0.30</td> </tr> <tr> <td></td> <td>X.XX</td> <td>±0.10</td> </tr> <tr> <td></td> <td>X°</td> <td>±1°</td> </tr> </table>			UNIT: mm	X.	±0.50	SCALE: NONE	X.X	±0.30		X.XX	±0.10		X°	±1°
UNIT: mm	X.	±0.50																	
SCALE: NONE	X.X	±0.30																	
	X.XX	±0.10																	
	X°	±1°																	
				SHEET: 01/01	REV.: G														