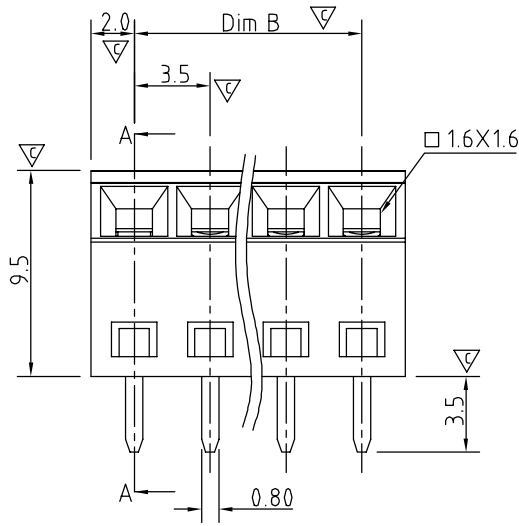
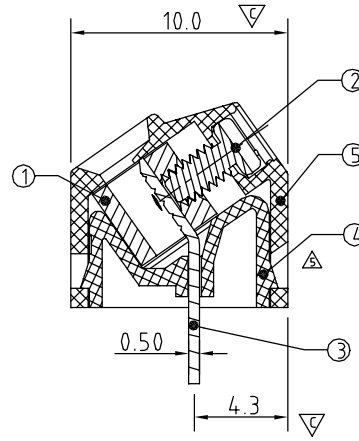


N = Number of poles  
 Dim A =  $N \times 3.5 + 0.50$   
 Dim B =  $(N-1) \times 3.5$

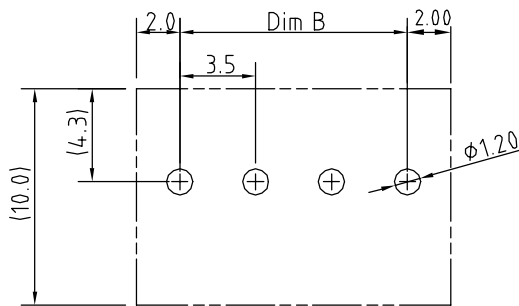
	Dim A	Dim B
2-6p	±0.15	±0.15
7-12p	±0.20	±0.20
13-18p	±0.25	±0.25
19-24p	±0.30	±0.30



N=Number of poles



SECTION A-A



P.C.B. LAYOUT

SIGN	DATE	DESCRIPTION	APPROVER
△	02/01/07	Soldering temperature changed from 245° to 250°	Tason
△	02/01/07	Part NO is Changed	Tason
△	05/25/09	Wire strip length changed from 6-7mm to 5-6mm	Eris
△	05/25/09	temperature changed from -30°C-105°C to -40°C-115°C	Eris
△	8/28/12	enlarge the chamfer to be 35 degree more	Guoxue
△	8/28/12	temperature changed from 250°C±10°C/5 Sec to 260°C±5°C/5 Sec	Guoxue

**THIS IS CAD DRAWING, DO NOT REVISE MANUALLY!!!**

**Material**

- Item① Clamp : Brass , Ni plated
- Item② Terminal screw : Steel Zinc plating "-" slot type
- Item③ Wire guard solder pin : Brass, Tin plated
- Item④ Terminal cover : Thermoplastic (UL94V-0)
- Item⑤ Terminal housing : Thermoplastic (UL94V-0)

**Electrical**

- Voltage rating: 300VAC
- Current rating: 10A
- Wire range:
  - Solid wire(AWG): 16-28
  - Stranded wire(AWG): 16-28
- Torque(Lb-In): 1.7
- Screw: M2
- △ ● Wire strip length: 5-6mm
- Withstanding Voltage: 1.6KV
- △ ● Operating temperature: -40°C to +115°C
- △ ● Soldering temperature: 260°C±5°C/5 Sec
- Safety Approval: us
- Critical dimension: ▽

△ TV xx 1 1 x 0 xxxx G

02 2 POLES	0 Black	0000:"@"Logo (Standard)	G RoHS compliant
03 3 POLES	5 Green	000A:"ANYTEK"Logo	(lead-4%)
... ..	6 Blue	Any special item by	In copper Alloy
24 24 POLES	8 Grey	customer request,	
		please contact sales	
		department.	

<b>ANYTEK</b>				<b>CUSTOMER COPY</b>			
ALL RIGHTS RESERVED. REPRODUCTION OR ISSUE TO THIRD PARTIES IN ANY FORM WHATSOEVER IS NOT PERMITTED WITHOUT WRITTEN AUTHORITY FROM THE PROPRIETOR. PROPERTY OF ANYTEK TECHNOLOGY CO., LTD							
TITLE		TV-3.5mm Series					
PART NO.		TVxx11x0xxxxG			DWG NO.		8TV0001
APPROVED		CHECKED	DESIGNED	DRAWN	CUST NO.		Tolerance
			Guoxue 2012.08.28	Guoxue 2012.08.28			X. ±0.50
							X.X ±0.30
							UNIT: mm
					SHEET: 01/01		X° ±1°
					REV.: F		