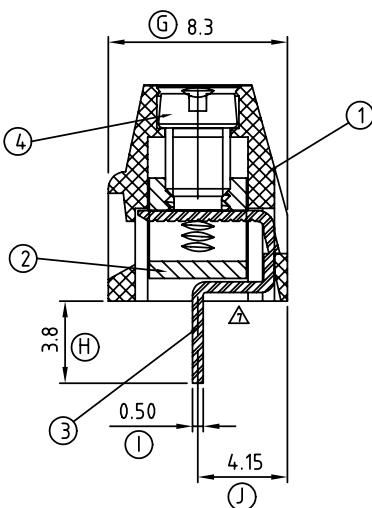
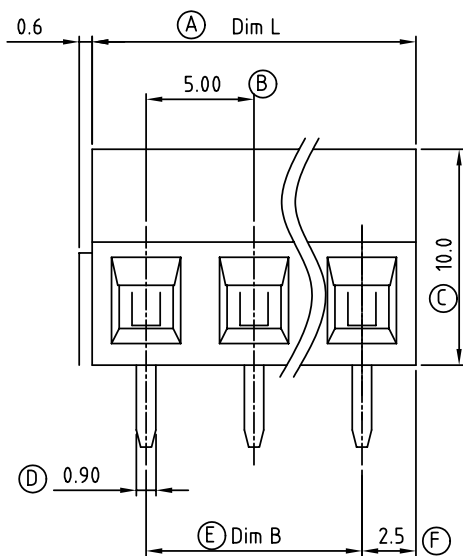


P.C.B. LAYOUT



Poles	02	03	04	05	06	07	08	09	10	11	12	13
Dim L	10.00	15.00	20.00	25.00	30.00	35.00	40.00	45.00	50.00	55.00	60.00	65.00
Dim B	5.00	10.00	15.00	20.00	25.00	30.00	35.00	40.00	45.00	50.00	55.00	60.00
TOL	±0.15						±0.25					
Poles	14	15	16	17	18	19	20	21	22	23	24	
Dim L	70.00	75.00	80.00	85.00	90.00	95.00	100.0	105.0	110.0	115.0	120.0	
Dim B	65.00	70.00	75.00	80.00	85.00	90.00	95.00	100.0	105.0	110.0	115.0	
TOL	±0.35						±0.40					

SIGN	DATE	DESCRIPTION	APPROVER
△	11.01'05	Standard spec is changed.	Marivn
△	01.18'07	Soldering temperature changed from 245° to 250°	Tason
△	01.18'07	Part NO is Changed	Tason
△	12.18'07	Screw is changed from M2.5 to M3.0	Marivn
△	08/26'09	Operating temperature changed from +105°C to +115°C	Aaron
△	08/26'09	And cULcs & VDE	Aaron
△	10/15'10	view revision	Aaron

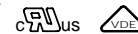
THIS IS CAD DRAWING, DO NOT REVISE MANUALLY!!!

Material:

- Item 1 Terminal housing: Thermoplastic (UL 94V-0)
- Item 2 Clamp: Brass ,Ni plated
- Item 3 Wire guard solder pin: Brass ,Tin plated
- Item 4 Terminal screw: Steel Zinc plating"-slot type

△ Electrical UL / VDE

- Voltage rating: 300VAC/250VAC
- Current rating: 10A/10A
- Wire range: 0.5-1.5mm²
- Solid wire(AWG): 16-26
- Stranded wire(AWG): 16-26
- Torque: 3.5Lb-In/0.4N.m
- △ Screw: M3.0
- Wire strip length: 5-6mm
- Withstanding Voltage: 1.6KV/2KV
- △ ● Operating temperature: -40°C to +115°C
- △ ● Soldering temperature: 250°C±10°C/5 Sec
- △ ● Safety Approval:



△ TO xx 01 x 2 xxxx G

			RoHS
			Pb<40,000ppm
No. of poles end stackable design	0 Black (RAL9005)	0000:"@"/Logo (Standard)	
	2 Red (RAL3001/D)	000A:"ANYTEK"/Logo	
02 2 CONTACTS	3 Orange(RAL2011/P)	Any special item by customer request,	
03 3 CONTACTS	4 Yellow(RAL1018/A)	please contact sales department.	
...	5 Green(RAL6018/T)		
24 24 CONTACTS	6 Blue (RAL5015/A)		
	8 Grey(RAL7035/D)		

ANYTEK

CUSTOMER COPY

ALL RIGHTS RESERVED. REPRODUCTION OR ISSUE TO THIRD PARTIES IN ANY FORM WHATSOEVER IS NOT PERMITTED WITHOUT WRITTEN AUTHORITY FROM THE PROPRIETOR. PROPERTY OF ANYTEK TECHNOLOGY CO., LTD

TITLE	TO 5.0mm Series (2P-24P)			DWG NO.	8T0001	
PART NO.	TOxx01x2xxxxG			CUST NO.		
APPROVED	CHECKED	DESIGNED	DRAWN	Tolerance		
		Aaron 2009.08.26	Aaron 2009.08.26	X. ±0.50		
				X.X ±0.30		
				X.XX ±0.10		
				X* ±1*		
				SHEET: 01/01	REV: G	