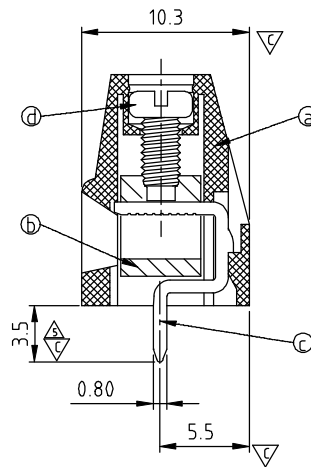
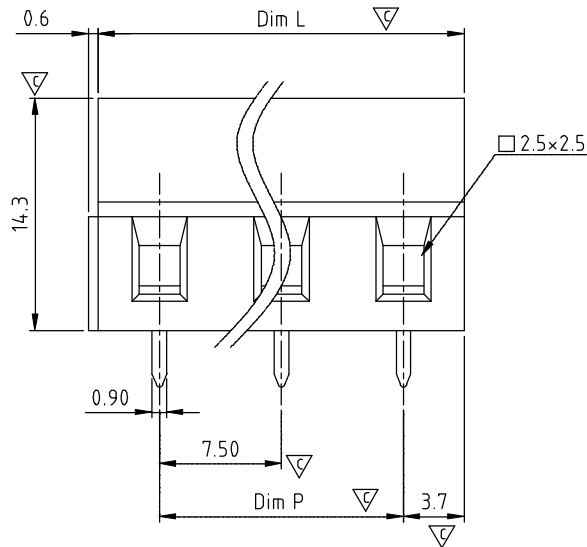


P.C.B LAYOUT
TOP VIEW



POLE	2	3	4	5	6	7	8	9	10	11	12	
Dim L	15.00	22.50	30.00	37.50	45.00	52.50	60.00	67.50	75.00	82.50	90.00	
Dim P	7.50	15.00	22.50	30.00	37.50	45.00	52.50	60.00	67.50	75.00	82.50	
Tol.	±0.20			±0.25				±0.35				

SIGN	DATE	DESCRIPTION	APPROVER
△	01/12/07	Part NO. is Changed	Tason
△	01/12/07	Soldering temperature changed from 245°C to 250°C	Tason
△	3/2/09	Operating temperature changed (-40°C to +115°C)	Tony
△	3/2/09	Add "VDE" Safety Approval	Tony
△	9/28/09	Dimension is changed from 3.80mm to 3.50mm.	Aaron
△	10/09/13	update the drawing	Guoxue
△	10/09/13	Soldering temperature is changed from 250°C ±10°C/5 Sec to 260°C ±5°C/5 Sec	Guoxue

THIS IS CAD DRAWING, DO NOT REVISE MANUALLY!!!

Material:

- Item ① Terminal housing: Thermoplastic (UL94V-0)
 - Item ② Clamp: Brass, Ni plated
 - Item ③ Wire guard solder pin : Brass, Tin plated.
 - Item ④ Terminal screw: Steel, Zinc plating "-" slot type
- Electrical:
- | | UL | VDE | CQC |
|------------------------------|------------------|--------------------------|-------------------------|
| ● Voltage rating: | 300V | 450V | 450V |
| ● Current rating: | 10A | 10A | 24A |
| ● Wire range: | | 0.34-4.0 mm ² | 0.2-2.5 mm ² |
| ● Solid wire(AWG): | 12-22 | | |
| ● Stranded wire(AWG): | 12-22 | | |
| ● Torque: | 3.5Lb-In | 0.4 Nm | 0.4 Nm |
| ● Screw: | M2.5 | | |
| ● Wire strip length: | 6-7mm | | |
| ● Withstanding Voltage: | 1.6KV | 2.5KV | 2.5KV |
| △ ● Operating temperature: | -40°C to +115°C | | |
| △ △ ● Soldering temperature: | 260°C ±5°C/5 Sec | | |
| △ △ ● Safety Approval: | | | |

● Critical dimension:

△ TI xx 21 x 0 xxxx G

- 02 2 POLES
- 03 3 POLES
-
- 12 12 POLES

- COLOR
- 0 Black (RAL9005)
 - 2 Red (RAL3001/D)
 - 3 Orange (RAL2011/PI)
 - 4 Yellow (RAL1018/A)
 - 5 Green (RAL6018/T)
 - 6 Blue (RAL5015/A)
 - 8 Grey (RAL7035/D)
 - 9 White (RAL1102)
 - C Green (RAL6018/U)

0000:"@Logo (Standard) RoHS compliant (lead<4%)
 000A:"ANYTEK"Logo In copper Alloy
 Any special item by customer request, please contact sales department.

<h1>ANYTEK</h1>				<h2>CUSTOMER COPY</h2> <p>ALL RIGHTS RESERVED. REPRODUCTION OR ISSUE TO THIRD PARTIES IN ANY FORM WHATSOEVER IS NOT PERMITTED WITHOUT WRITTEN AUTHORITY FROM THE PROPRIETOR. PROPERTY OF ANYTEK TECHNOLOGY CO., LTD</p>			
PART NO.:		Tlxx21x0xxxxG		DWG NO.:		8TI0101	
APPROVED:		CHECKED:		DESIGNED:		DRAWN:	
		Guoxue 2013.10.09		Guoxue 2013.10.09		CUST NO.:	
						Tolerance	
				UNIT: mm		X. ±0.50	
				SCALE: NONE		X.X ±0.30	
				SHEET: 01/01		X.XX ±0.10	
				REV.: G		X° ±1°	