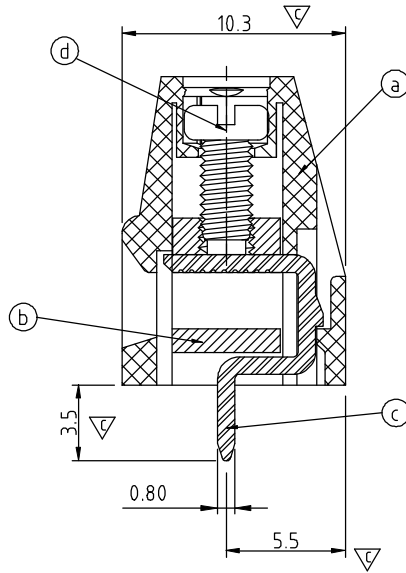
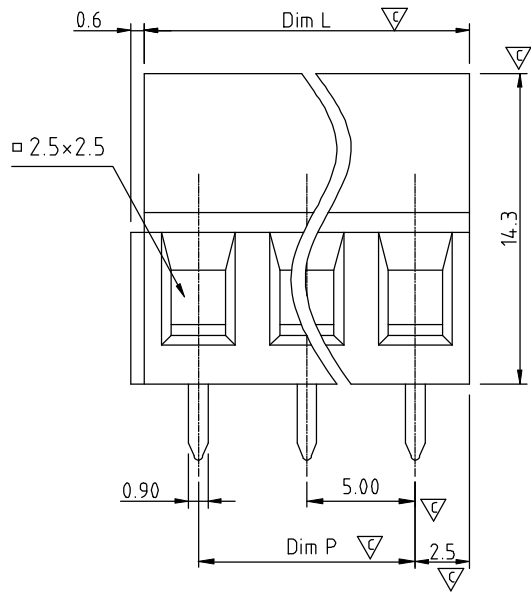


P.C.B LAYOUT
TOP VIEW



SIGN	DATE	DESCRIPTION	APPROVER
△	01/12'07	Part No. is changed	Tason
△	01/12'07	Soldering temperature changed from 245° to 250°	Tason
△	2/12'09	Operating temperature changed (-40°C to +115°C)	Tony
△	2/12'09	Add "VDE" Safety Approval	Tony
△	8/19'13	update the drawing	Guoxue
△	8/19'13	Current rating is changed from 10A to 16A.	Guoxue
△	8/19'13	Soldering temperature is changed from 250°C ±10°C/5 Sec to 260°C ±5°C/5 Sec	GUOXUE
△	8/19'13	Part No is changed	Guoxue

THIS IS CAD DRAWING, DO NOT REVISE MANUALLY!!!

- Material:
- Item ㉑ Terminal housing : Thermoplastic (UL94V-0)
 - Item ㉒ Clamp : Brass, Ni plated
 - Item ㉓ Wire guard solder pin : Brass, Tin plated.
 - Item ㉔ Terminal screw: Steel Zinc plating "-" slot type
- | | | | |
|------------------------------|--------------------------|--------|-------------------------|
| △ Electrical: | cULus | VDE | CQC |
| ● Voltage rating: | 300V | 250V | 250V |
| △ ● Current rating: | 16A | 10A | 24A |
| ● Wire range: | 0.34-4.0 mm ² | | 0.2-2.5 mm ² |
| ● Solid wire(AWG): | 12-22 | | |
| ● Stranded wire(AWG): | 12-22 | | |
| ● Toque: | 3.5Lb-In | 0.4 Nm | 0.4 Nm |
| ● Screw: | M2.5 | | |
| ● Wire strip length: | 6-7mm | | |
| ● Withstanding Voltage: | 1.6KV | 2KV | 2.5KV |
| ● Operating temperature: | -40°C to +115°C | | |
| △ △ ● Soldering temperature: | 260°C ±5°C/5 Sec | | |
| △ △ ● Safety Approval: | | | |
| △ ● Critical dimension: | ▽ | | |
| △ △ TI xx 01 x 0 xxxx G | | | |
- COLOR
- | | | | |
|-------------|---------------------|--------------------------|------------------|
| 02 2 POLES | 0 Black (RAL9005) | 0000:"@ "Logo (Standard) | G RoHS compliant |
| 03 3 POLES | 2 Red (RAL3001/D) | 000A:"ANYTEK"Logo | (lead<4%) |
| ... | 3 Orange(RAL2011/P) | Any special item by | In copper Alloy |
| ... | 4 Yellow(RAL1018/A) | customer request, | |
| 24 24 POLES | 5 Green(RAL6018/T) | please contact sales | |
| | 6 Blue (RAL5015/A) | department. | |
| | 8 Grey(RAL7035/D) | | |
| | 9 White(RAL1102) | | |
| | C Green(RAL6018/U) | | |

POLE	2	3	4	5	6	7	8	9	10	11	12	
Dim L	10.00	15.00	20.00	25.00	30.00	35.00	40.00	45.00	50.00	55.00	60.00	
Dim P	5.00	10.00	15.00	20.00	25.00	30.00	35.00	40.00	45.00	50.00	55.00	
Tol.	±0.15					±0.20						
POLE	13	14	15	16	17	18	19	20	21	22	23	24
Dim L	65.00	70.00	75.00	80.00	85.00	90.00	95.00	100.00	105.00	110.00	115.00	120.00
Dim P	60.00	65.00	70.00	75.00	80.00	85.00	90.00	95.00	100.00	105.00	110.00	115.00
Tol.	±0.30						±0.40					

ANYTEK

CUSTOMER COPY

ALL RIGHTS RESERVED. REPRODUCTION OR ISSUE TO THIRD PARTIES IN ANY FORM WHATSOEVER IS NOT PERMITTED WITHOUT WRITTEN AUTHORITY FROM THE PROPRIETOR. PROPERTY OF ANYTEK TECHNOLOGY CO., LTD

TITLE		TI-5.0 series (配YD-5.0脚子)	
PART NO.	TIxx01x0xxxxG	DWG NO.	8TI0003
APPROVED	CHECKED	DESIGNED	DRAWN
		Guoxue 2013.09.24	Guoxue 2013.09.24
SHEET: 01/01		Tolerance	
UNIT: mm		X. ±0.50	
SCALE: NONE		X.X ±0.30	
REV.: F		X.XX ±0.10	
		X° ±1°	