


SIGN	DATE	DESCRIPTION	APPROVER
△	01/12 07	Soldering temperature changed from 245° to 250°	Tason
△	01/12 07	Part NO is Changed	Tason
THIS IS CAD DRAWING, DO NOT REVISE MANUALLY!!!			

**Material:**

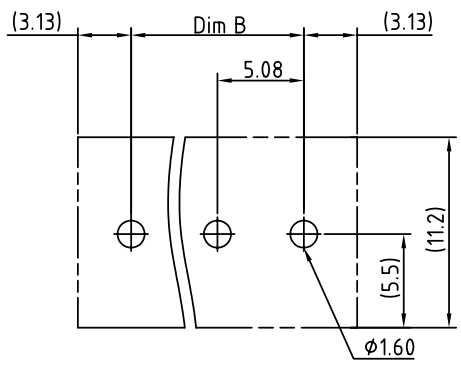
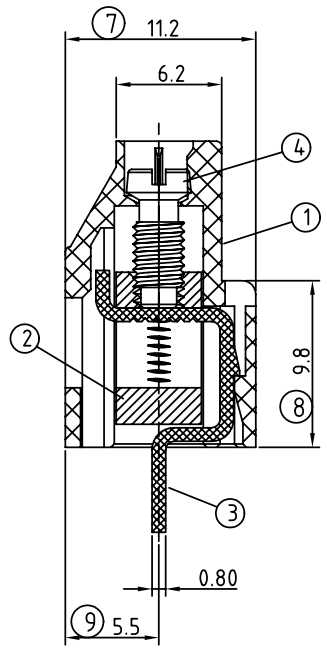
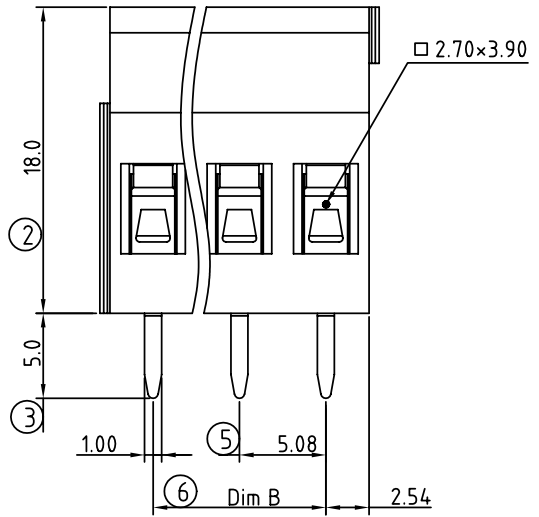
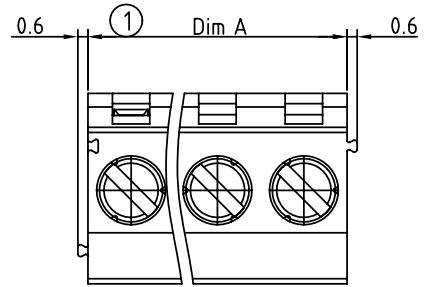
- Item 1 Terminal housing :Thermoplastic (UL 94V-0)
- Item 2 Clamp : Brass ,Ni plated
- Item 3 Wire guard solder pin : Brass ,Tin plated
- Item 4 Terminal screw: Steel Zinc plating"-slot type

**Electrical cULus**

- Voltage rating: 300VAC
- Current rating: 15A
- Wire range:
- Solid wire(AWG): 12-30
- Stranded wire(AWG): 12-30
- Torque(Lb-In): 4.3
- Screw: M3
- Wire strip length: 6-7mm
- Withstanding Voltage: 1.6KV
- Operating temperature: -40°C to +115°C
- Soldering temperature: 250°C±10°C/5 Sec
- Safety Approval: 

△ EK xx 2 1 x 0 xxxx G

02	2 CONTACTS	0	Black	0000:"@"Logo (Standard)	RoHS
03	3 CONTACTS	5	Green	000A:"ANYTEK"Logo	Pb<40,000ppm
...	...	6	Blue	Any special item by customer request, please contact sales department.	
24	24 CONTACTS	8	Grey		



RECOMMENDED PCB LAYOUT

N=NUMBER OF POLES

Dim A=N×5.08
Dim B=(N-1)×5.08

Poles	Dim A Tol	Dim B Tol
2P-6P	±0.15	±0.15
7P-12P	±0.25	±0.25
13P-18P	±0.35	±0.35
19P-24P	±0.40	±0.40

<b>ANYTEK</b>				<b>CUSTOMER COPY</b>			
ALL RIGHTS RESERVED. REPRODUCTION OR ISSUE TO THIRD PARTIES IN ANY FORM WHATSOEVER IS NOT PERMITTED WITHOUT WRITTEN AUTHORITY FROM THE PROPRIETOR. PROPERTY OF ANYTEK TECHNOLOGY CO., LTD							
TITLE		EK 5.08mm Series 2P-24P					
PART NO.		EKxx21x0xxxxG			DWG NO.		8EK0001
APPROVED		CHECKED	DESIGNED	DRAWN	CUST NO.		Tolerance
			熊海燕	熊海燕			X. ±0.50
			2007.01.12	2007.01.12			X.X ±0.30
							X.XX ±0.10
							X* ±1*
					SHEET: 01/01		UNIT: mm
							SCALE: NONE
							REV.: B